

## APV D4 / D4 SL

DOUBLE SEAT MIX PROOF VALVES



SAFETY AGAINST EXPLOSION - FOR SPECIFIC ATEX ZONE 1 APPLICATIONS

FORM NO.: H344234 REVISION: GB-0

READ AND UNDERSTAND THIS MANUAL PRIOR TO OPERATING OR SERVICING THIS PRODUCT.





# EU Declaration of Conformity

**SPXFLOW**<sup>®</sup>

## Product

Nomenclature : **Double Seat Mix Proof Valves**  
Model / Type : D4 and D4 SL  
Variants / Family code : DN 40 – DN 150, 1,5" – 6"

## Manufacturer

Name : **SPX Flow Technology Germany GmbH**  
Address : Gottlieb-Daimler-Str. 13, D-59439 Holzwickede, Germany.

## Applicable EU Harmonisation Legislation

---

### EU Declaration of Conformity in accordance with

---

**Machinery Directive 2006/42/EC**

**ATEX Directive 2014/34/EU**

- Essential Health and Safety Requirement have been met by complying with the harmonised standard/s - EN 80079-36:2016, EN 80079-37:2016.
- Equipment Marking: **II 2 G Ex h IIB T6...T3 Gb**  
**0 °C ≤ Ta ≤ +55 °C**
- Notified Body involved:  
Name: Dekra Testing and Certification GmbH  
Notified Body No.: 0158  
Certificate of Deposition No.: BVS 21 ATEX H/B 039

---

This declaration of conformity is issued under the sole responsibility of the manufacturer. It will lose its validity if the product is modified without the written permission from the manufacturer and/or if the safety instructions specified in the instruction manual are not being followed.

## Authorised Signatory:

Signature: -----

Date: 30.07.2021

Frank Baumbach, Regional Engineering Manager - F&B Components.  
SPX FLOW, Gottlieb-Daimler-Str. 13, D-59439 Holzwickede, Germany.



<b>Content</b>	<b>Page</b>
<b>1. General Terms</b>	<b>6</b>
<b>2. General Safety</b>	<b>6</b>
2.1 Symbols	
2.2 Safety Instructions	
<b>3. Instructions for Safe Use in Potentially Explosive Areas</b>	<b>7</b>
3.1. Responsibility for ATEX certification - scope of supply	
3.2. Safety Instructions	
<b>4. Identification of valves, Temperature classes, Responsibilities</b>	<b>10</b>
4.1. Identification of valves for use in ATEX environment	
4.2. Temperature classes and permissible temperatures	
4.3. Responsibilities	
<b>5. Intended Use</b>	<b>11</b>
<b>6. Mode of Operation</b>	<b>12</b>
6.1. General terms	
6.2. Valve in "closed" position	
6.3. Valve in "open" position	
<b>7. Control Units / Valve Position Indication</b>	<b>14</b>
7.1. Control unit and adapter	
7.2. Valve position indication	
<b>8. Cleaning</b>	<b>15</b>
8.1. Flow area	
8.2. D4 SL valve: Seat area	
8.3. Seat area and Leakage chamber	
8.4. Cleaning recommendation	
8.5. D4 SL valve: Cleaning of upper area	
8.6. D4 SL valve: Cleaning of lower area	
<b>9. Installation and Commissioning</b>	<b>17</b>
9.1. Welding Instructions	
<b>10. Dimensions / Weights</b>	<b>19</b>
10.1. D4 Valve	
10.2. D4 SL Valve	
<b>11. Technical Data</b>	<b>21</b>
11.1. General data	
11.2. Compressed air quality	
11.3. Kvs values	
11.4. Air consumption / Switching times	
11.5. Valve stroke / Opening cross section	
<b>12. Maintenance</b>	<b>24</b>
<b>13. Service Instructions</b>	<b>26</b>
13.1. Removal from the line system	
13.2. Removal of product-wetted parts	
13.3. Installation of product-wetted seals and assembly of the valve	
13.4. Installation of the valve insert	
<b>14. Maintenance of Actuator</b>	<b>30</b>
14.1. Removing the actuator screws	
14.2. Installing the seals and assembling the actuator	
<b>15. Assembly Instructions and Tools for Seals</b>	<b>31</b>
15.1. Lower shaft seal	
15.2. Middle seal	
15.3. Seat seals	
<b>16. Trouble Shooting</b>	<b>34</b>
<b>17. Spare Parts Lists</b>	<b>34</b>

## 1. General Terms

This instruction manual applies for DELTA D4 / D4 SL double seat mix proof valves in the nominal dimensions DN 40-150, 1,5"-6" for use in specific ATEX applications (according to Directive 2014/34/EU).

This instruction manual should be read carefully by the competent operating and maintenance personnel.

We point out that we will not accept any liability for damage or malfunctions resulting from the non-compliance with this instruction manual.

Descriptions and data given herein are subject to technical changes.

## 2. General Safety

### 2.1 Symbols



#### Caution!

The technical safety symbol draws your attention to important directions for operating safety. You will find it wherever the activities described are bearing health hazards and risks for persons and / or material assets.



#### Important Note!

Critical technical information



#### Caution!

This symbol draws your attention to important directions which have to be observed for the operation in explosive areas.

### 2.2 Safety Instructions



#### Opening of the actuators and upper shafts is strictly forbidden. Danger to health and life!

Actuators and upper shafts which are no longer used and/or are defective must be disposed in professional manner.

Defective actuators and upper shafts must be returned to your SPX FLOW company for their professional disposal and free of charge for you.

Please address to your local SPX FLOW company.



Actuators must be replaced after 250,000 operating cycles or after 10 years at the latest. Contact SPX FLOW or your distributor for replacement.

---

## 2. General Safety

---

### 2.2 Safety Instructions



- Never touch the valve or pipelines during hot liquid or sterilisation processes!



- Disconnect electric and pneumatic connections, e.g. before maintenance.



- Before any maintenance work, depressurize the line and cleaning system and discharge the lines if possible.



- Observe Service Instructions to ensure safe maintenance of the valve.



- Connections which are not used must be sealed by a plug!



- The safe discharge of the cleaning liquids must be ensured.



- The valves must be assembled, disassembled and reassembled only by persons who have been trained in the valves or by SPX FLOW service team members. If necessary, contact your local SPX FLOW representative.

---

## 3. Instructions for Safe Use in Potentially Explosive Areas

---

### 3.1. Responsibility for ATEX certification - scope of supply

SPX FLOW will be held responsible only for the valves supplied and selected according to the operating conditions indicated by the customer or end user and as stated in the order confirmation. If in doubt, contact your local supplier.

All other assembled equipment and devices must have a separate certification of at least the same or higher grade of protection as the valve, provided by the supplier(s) of that equipment and devices. The complete unit must be certified separately by the final assembling manufacturer and must have a separate name plate supplied by the unit manufacturer.

### 3. Instructions for Safe Use in Potentially Explosive Areas

#### 3.2. Safety Instructions



##### Caution!

If the valve is used for flammable liquids, it must be observed that every operation of the valve is combined with an operating leakage.

##### Switching leakage:

Valve	Criteria	Result
D4 DN40-65, 1,5"–3"	minimum switching leakage	0,03 ml per stroke
D4 DN80-100, 4"	minimum switching leakage	0,2 ml per stroke
D4 SL DN40-65, 1,5"–3"	minimum switching leakage	0,03 ml per stroke
D4 SL DN80-100, 4"	minimum switching leakage	0,2 ml per stroke
D4 DN125	minimum switching leakage	0,07 ml per stroke
D4 DN150, 6"OD	minimum switching leakage	0,1 ml per stroke
D4 SL DN125	minimum switching leakage	0,07 ml per stroke
D4 SL DN150, 6"OD	minimum switching leakage	0,1 ml per stroke

The operator shall consider these conditions in his considerations and classifications of explosive environments.

Installation, connection, start-up, maintenance and repair work must only be carried out by qualified personnel.

The following aspects must be observed:

- The instructions of this manual together with all relevant instructions for the components, equipment and installations installed.
- Warnings and installations fixed to the components.
- The specific regulations for and requirements to the system in which the valve is installed.
- The currently valid regional, national and international regulations.
- Any special requirement and national legislation relative to the use of flammable liquids or tools, e.g. the risk of ignition in case of spark formation, must be observed.



### 3. Instructions for Safe Use in Potentially Explosive Areas



It must be ensured that the group, the category and the temperature class of the valve complies with the minimum requirements of the operating environment!



Inflammable gas mixtures or dust concentrations in connection with hot, operational and movable parts of the valve can lead to serious or fatal injury!



It is recommended to perform installation, service and maintenance work in the absence of potentially explosive atmosphere in order to safeguard against unforeseen hazards. In accordance with Annex A of EN 1127-1:2019, it is allowed to use steel tools which can only cause single sparks in ATEX Zones 1 and 2 environment for such activities. In case of doubt, spark-resistant tools must be used!



Welding when necessary, shall always be carried out in the absence of explosive atmosphere. In all cases of installation, service or maintenance activity, all the energy sources of D4 / D4 SL valve shall be isolated.



Conductive connection to the pipeline must be provided. The integration into the internal potential equalisation must be guaranteed!



All non-conductive parts used in the D4 and D4 SL valve follow the surface resistivity requirements of the applied harmonized standards. It is, however, recommended to clean such surface with a damp cloth and with slow rubbing motion during the presence of hazardous atmospheres.



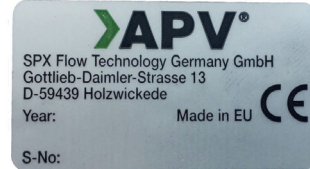
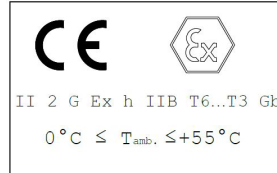
If CIP cleaning is performed in hazardous areas, the temperatures of the cleaning liquids must comply with the temperature ranges as stated in the table 4.2 on page 9.

The standard SPX Flow control unit series CU2, CU3, CU4 and the 8681 control top are not suited for use in ATEX environments!

## 4. Identification of valves, Temperature classes, Responsibilities

### 4.1. Identification of valves for use in ATEX environment

ATEX - identification:



Equipment group II

Explosion subcategory / Equipment marking  
II 2 G Ex h IIB T6...T3 Gb

Ambient temperature  
 $0\text{ °C} \leq T_{amb} \leq +55\text{ °C}$

- Temperature classes T6...T3 (according to table 4.2)



D4 / D4 SL valves with proximity switch can be used for temperature classes T6, T5, T4 & T3.



D4 / D4 SL valves equipped with a IECEx CU ex ia Control Unit can be used for temperature classes T4 & T3.

### 4.2. Temperature classes and permissible temperatures

The valve surface temperature mainly depends on the temperature of the process media. Select the temperature class relative to the temperature of your process media from the following table:

Media temperature	$\leq 80\text{ °C}$	$\leq 95\text{ °C}$	$\leq 130\text{ °C}$	up to 140 °C = Tmax. short-term
Temperature class	T6	T5	T4	T3

Under standard operating conditions the highest surface temperature will be comparably as high as the temperature of the medium plus a safety addition for local temperature increases. The valve must be completely free to the environment in order to provide for sufficient heat release.

All data (temperature classes) refer to an ambient temperature of 0°C and 55°C. If the ambient temperature is above 55°C, the temperature difference must be adjusted. In all cases, contact your responsible SPX FLOW representative!

### 4.3. Responsibilities

It is within the operator's responsibility to ensure that the specified product temperatures are not exceeded and that regular inspections and maintenance are carried out to provide for proper function of the valve.

## 5. Intended Use

The intended use as field of application of the double seat mix proof valve is the safe shut-off of pipeline sections and the separation of incompatible liquids in the food and beverage industries as well as in pharmaceutical and chemical applications.



### Caution!

The valve is suitable for use in hazardous areas as identified on the valve according to Directive 2014/34/EU.

Its use is permissible only within the admissible pressure and temperature margins and under consideration of chemical and corrosive influences.

Any use exceeding the margins and specifications set forth, is considered to be not intended.

Any damage resulting therefrom is not within the responsibility of the manufacturer. The user will bear the full risk.



**Caution!** Arbitrary, structural changes at the valves may affect safety as well as the intended functionality of the valves and are not permitted.

SPX FLOW Valves are intended for use in the food and beverage industries, as well as in pharmaceutical and chemical applications.

SPX FLOW Valves (without safety function) are allocated to Category 1 and are evaluated as per Conformity Assessment Module A of the Pressure Equipment Directive 2014/68/EU. According to Article 13, the following allocation applies for the fluids processed in the valves.

Product media – Fluid group 2 – valves in all dimensions.

CIP-cleaning liquids – Fluid group 1 – valves in the dimensions  $\leq$  DN100/4" can be used at temperatures up to 140 °C, valves in the dimensions  $>$  DN100/4" at temperatures up to 100 °C.

### Authorizations and External Approvals

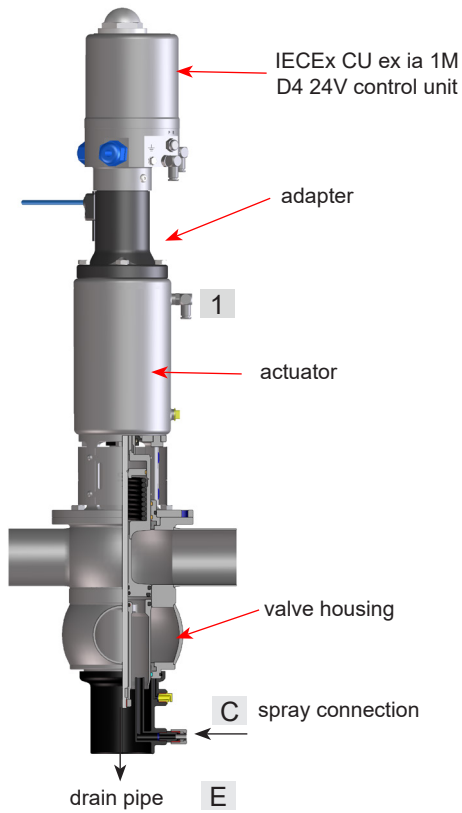
To view the certifications for this and other innovative SPX FLOW products, visit

<https://www.spxflow.com/en/apv/about-us/certifications/>

It is within the responsibility of the plant operator to evaluate and verify the suitability of SPX FLOW products for the intended purpose and service conditions, as well as to determine and follow the applicable laws for the intended applications and areas of application.

## 6. Mode of Operation

**fig. 6.1. D4 valve**

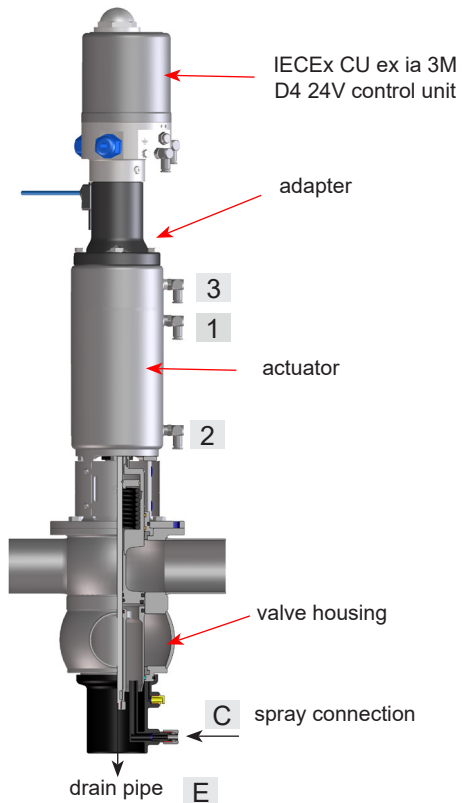


### 6.1. General terms

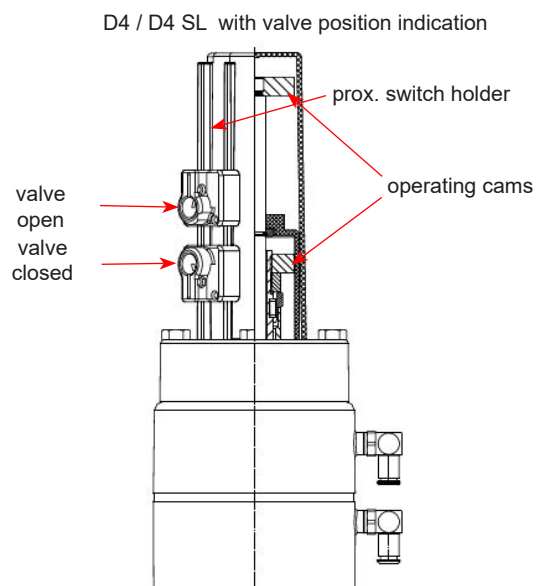
Due to its construction and mode of operation as well as to the use of high quality stainless steel and adequate seal materials, the D4 and D4 SL double seat mix proof valves are suited for applications in the food and beverage industries as well as in pharmaceutical and chemical applications.

- The D4 and D4 SL valves separate two line passages by two balanced and independently operating valve shafts with an intervening leakage chamber.
- The valve opens from the top to the bottom in a low-leakage design.
- Leakages are discharged via the drain pipe (E) in depressurized state.
- The pneumatic actuator opens the valve via the air connection (1). The spring force resets the valve into the “closed” safe position.
- The standard D4 valve is equipped with a non-seat lift actuator and a IECEX CU ex ia control unit.
- The standard D4 SL valve is equipped with an actuator including seat lift function and a IECEX CU ex ia control unit.
- D4 SL valve:  
Cleaning of the seat is controlled via the air connections.  
2 = to lift upper shaft  
3 = to lift lower shaft
- The spray connection (C) cleans the leakage chamber.
- As an option, the closed and open positions of the D4 and D4 SL can be detected via proximity switches.

**fig. 6.1.1. D4 SL valve**

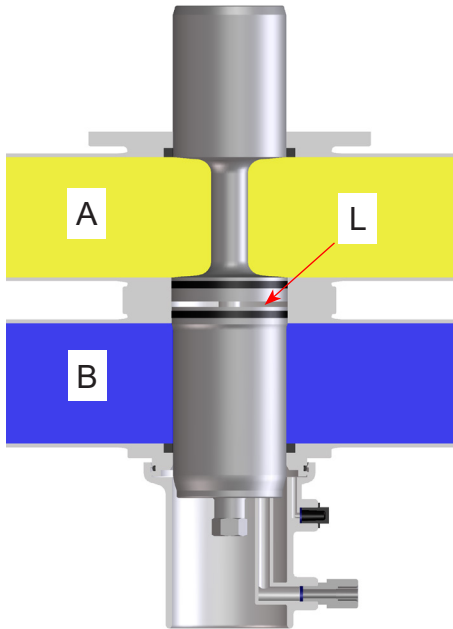


**fig. 6.1.2.**



## 6. Mode of Operation

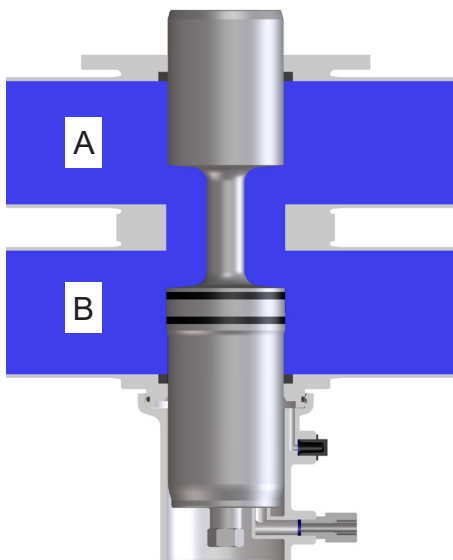
fig. 6.2.



### 6.2. Valve in "closed" position

The lower and upper valve shaft are in closed position and safely separate the different liquids A and B. The leakage chamber L, which is situated between the two valve shafts, provides for a free and depressurized discharge to the bottom. The valve shafts are balanced and protected against pressure hammer.

fig. 6.3.



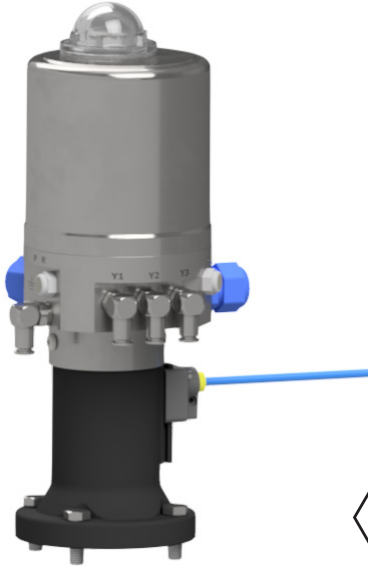
### 6.3. Valve in "open" position

The upper valve shaft is pressed against the seal of the lower valve shaft by control of the actuator. First, the leakage chamber L is closed against the product chamber. Then the two valve shafts move downwards into the open position. The connection between the two pipelines A and B is established.

## 7. Control Units / Valve Position Indication

### 7.1. Control unit and adapter

fig. 7.1.



#### Caution!

Control units for the D4 / D4 SL valves for use in potentially explosive areas shall be selected in coordination with SPX FLOW. We point out that we will not accept any liability for damage, malfunctions or harm of any kind resulting from SPX FLOW - unauthorized and/or arbitrary solutions determined by the user.

Designation		
	<b>D4</b>	<b>D4 SL</b>
Ø Air connection	<b>6 mm</b>	<b>6 mm</b>
<b>IECEX CU ex ia Control Unit</b>		
IECEX CU ex ia	IECEX CU ex ia 1M D4 24V H344227	IECEX Cu ex ia 3M D4 24V H344051
<b>IECEX CU ex ia Adapter</b>	H343596	



D4 / D4 SL valves equipped with IECEX CU ex ia Control Unit can be used for temperature classes T4 & T3. Please see table 4.2.

### 7.2. Valve position indication

Proximity switches to signal the closed and open position of the valve can be installed at the proximity switch holder.



#### Caution!

The use of valve position indicators which are approved for the application in explosive atmospheres is compulsory!

We recommend using our APV standard type for ATEX environments:

operating distance: 5 mm  
diameter: 11 mm  
cable length: 2 m

Approval according to: KEMA 02 ATEX 1090X  
ref.-No. 000 86-01-127/93; H130435

If the customer decides to use valve position indicators other than the one listed above, SPX FLOW cannot assume any liability for the functionality of the valve.



The use and operation of valve position indicators shall be evaluated by the operator of the installation!

## 8. Cleaning

In the cleaning process of the valves, distinction is made between the following areas: Flow areas, Seat area, and Leakage chamber.

### 8.1. Flow area

The CIP-fluid cleans the upper and lower passages of the valve during CIP.

### 8.2. D4 SL valve: Seat area (chapters 8.5. and 8.6.)

The seat area and leakage chamber are cleaned through lifting of the individual valve shafts during cleaning of the respective passage.

### 8.3. Seat area and Leakage chamber

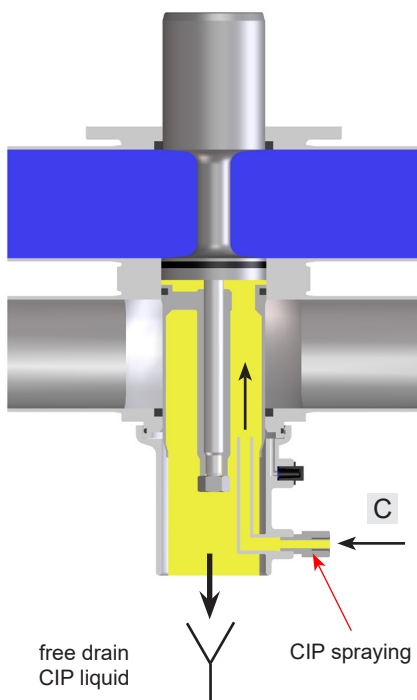
CIP spraying cleans the seat area and the leakage chamber. The cleaning connection is at item C in fig. 8.3.

**D4 valve:** CIP spraying must generally be undertaken.

CIP spraying does not produce pressure build-up in the leakage chamber. SPX FLOW recommends performing CIP-spraying in the closed valve position; however, it can also be done in the open valve position.

Under standard conditions 15 valves DN 40-100 / 1,5"-4", 10 valves DN 125-150 / 6" can be cleaned via one spray distribution line DN 25.

fig. 8.3.



### 8.4. Cleaning recommendation

Cleaning steps	Seat lifting cycle (D4 SL)	CIP spraying
pre-flushing	–	3 x 10 sec.
caustic flushing 80°C	3 x 5 sec.	3 x 10 sec.
intermediate flushing	2 x 5 sec.	2 x 10 sec.
acid flushing	3 x 5 sec.	3 x 10 sec.
subsequent flushing	2 x 5 sec.	2 x 10 sec.

- **D4 SL Valve:** The lifting cycles refer to a cleaning pressure of  $p = 2-5$  bar.
- Depending on the pressure ratio, cleaning temperatures, cleaning steps and degree of soiling, time and number of cycles must be adjusted.
- Flushing quantities per CIP spraying cycle:
 

DN40-100/1,5-4"	about 1,2 ltr/10s
DN125-150/6"	about 5,0 ltr/10s
- Cleaning pressure at CIP cleaning connection:
 

min. 2 bar
max. 5 bar



#### Caution!

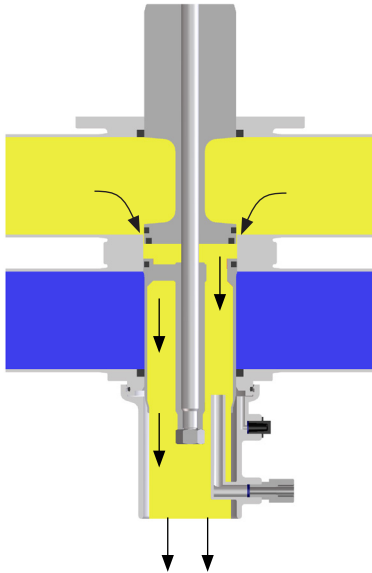
The cleaning liquid applied must be compatible with the respective seal material.

#### Caution!

All non-conductive parts used in the D4 and D4 SL valve follow the surface resistivity requirements of the applied harmonized standards. It is, however, recommended to clean such surfaces with a damp cloth and with slow rubbing motion during the presence of hazardous atmospheres.

## 8. Cleaning

fig. 8.5.



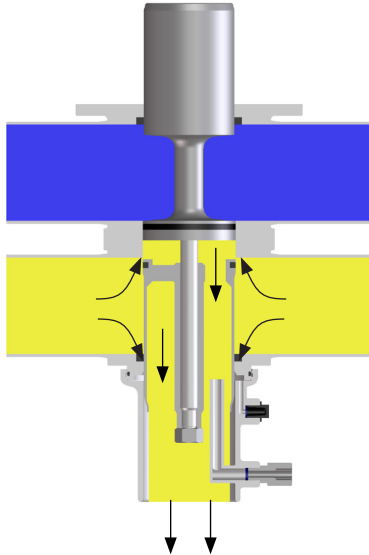
### 8.5. D4 SL valve: Cleaning of upper area (fig. 8.5.)

The upper valve shaft is lifted via connection (2), as shown in fig. 6.1.1 on page 11.

Through the lifting of the upper valve shaft, the cleaning fluid flushes over the upper seat seal and the upper valve seat into the leakage chamber and cleans this area. The cleaning fluid is drained off to the bottom in a depressurized state.

The lifting stroke is limited by a stop in the actuator.

fig. 8.6.



### 8.6. D4 SL valve: Cleaning of lower area (fig. 8.6.)

The lower valve shaft is lifted via connection (3), as shown in fig. 6.1.1 on page 11.

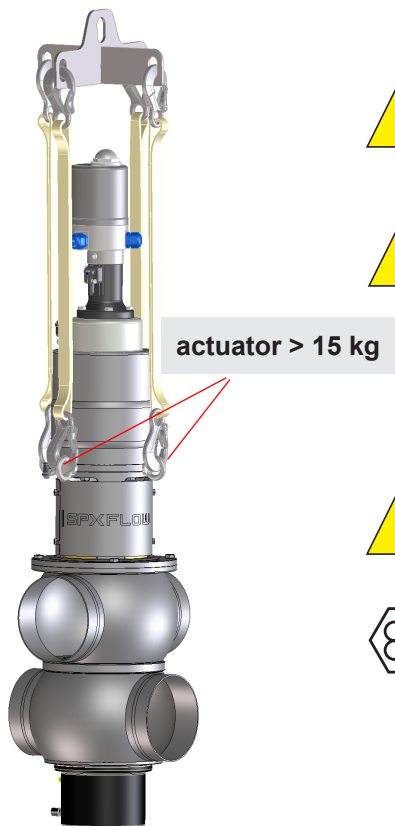
Through the lifting of the lower valve shaft, the cleaning fluid flushes over the lower seat seal into the leakage chamber and cleans this area. The cleaning fluid is drained off to the bottom in a depressurized state.

The lifting stroke is limited by a stop in the actuator.



## 9. Installation and Commissioning

fig. 9.1.



- The valve must be installed in vertical position to ensure that fluids can drain off freely from the valve housing and the leakage chamber.

**Caution!**

Conductive connection to the pipeline must be provided. The integration into the internal potential equalisation must be guaranteed!



**Caution!**

Leakages and fluid losses from seat lifting and CIP-spraying must be safely collected and drained!

- The valve housing can be welded directly into the pipeline (completely removable valve insert).



**Note!**

Observe welding instructions.

- Observe heights of installation and dismantling!



**Caution!**

**Before first startup:**

- Actuate the valve by applying compressed air. The opening, closing and shaft lifting processes must run smoothly.
- Check the function of the control unit or valve position indication.
- Check for possible leakages during commissioning. Replace defective seals.



**Caution!**

Use a lifting device for valves with actuators with a weight greater than 15 kg. The suspension points are illustrated in fig. 9.1.



**Caution!**

**During installation, assembly and before first startup:**

Ensure that all the moving parts are free from solid particles such as dust or metal pieces. Solid particles may produce potential risks of ignition due to mechanical sparks or rise in temperature as a result of friction.

## 9. Installation and Commissioning

### 9.1. Welding Instructions



#### Caution!

It is recommended to perform installation, service and maintenance work in the absence of potentially explosive atmosphere in order to safeguard against unforeseen hazards. In accordance with Annex A of EN 1127-1:2019, it is allowed to use steel tools which can only cause single sparks in ATEX Zones 1 and 2 environment for such activities. In case of doubt, spark-resistant tools must be used!



Welding when necessary, shall always be carried out in the absence of explosive atmosphere. In all cases of installation, service or maintenance activity, all the energy sources of D4 / D4 SL valve shall be isolated.

- Before welding the valve, remove the valve insert from the housing.



**Caution!** Handle and store the valve insert carefully to avoid damaging the parts.



**DN40-100/1,5-4"**: Remove the lower shaft seal and guide ring from the housing.

**DN125-150/6"**: It is not necessary to remove the lower shaft seal as it can be damaged during dismantling.

- Welding should only be carried out by certified welders (DIN EN ISO 9606-1) (seam quality DIN EN ISO 5817).
- The welding of the valve housings must be undertaken in such a way that the valve body is not deformed.
- The preparation of the weld seam up to 3 mm thickness must be carried out as a square butt joint without air. Consider shrinkage!
- TIG orbital welding is recommended.

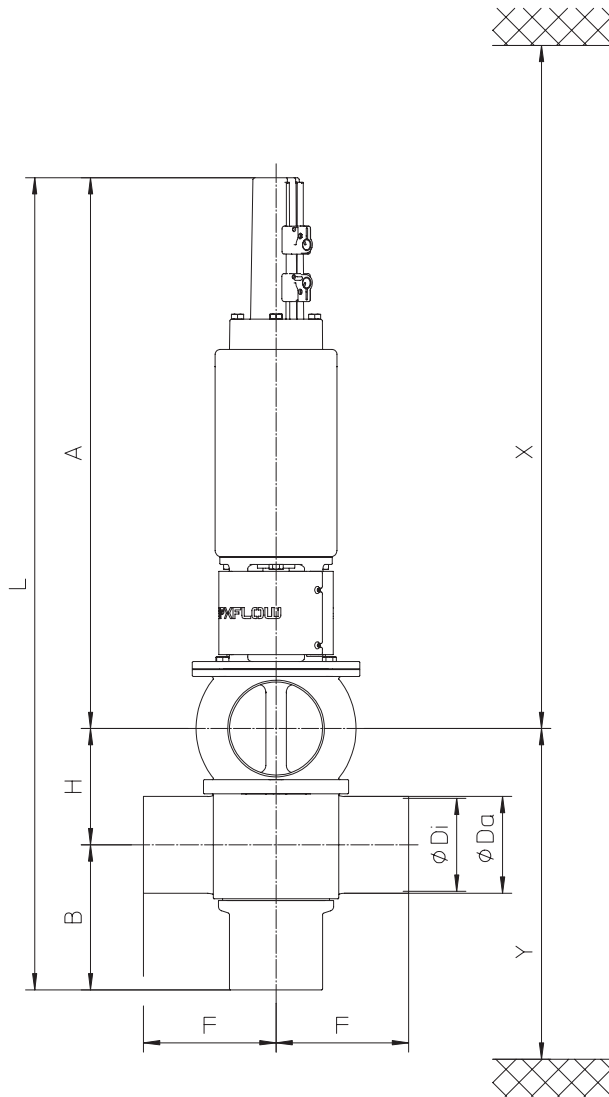


**Caution!** After welding the valve housing or mating flanges, and after performing any work on the piping, do not operate the valves until the corresponding areas of the installation and piping have been cleaned and welding residue has been removed. If the piping is not cleaned before operation, welding residue and dirt particles can settle in the valves and cause damage to the valves and seals.

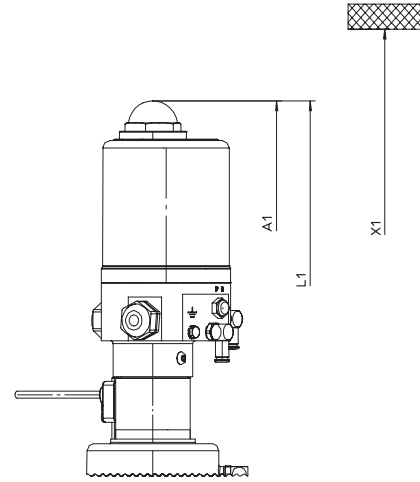
- If these welding instructions are not followed, any resulting damage will not be covered by the warranty.
- Welding directives for aseptic applications shall be drawn from the AWS/ANSI Directives and EHEDG Guidelines.

## 10. Dimensions / Weights

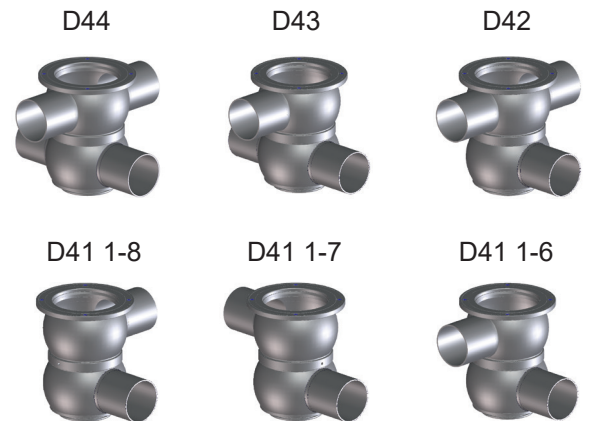
### 10.1. D4 Valve



IECEx CU ex ia M1 D4 control unit



housing configuration

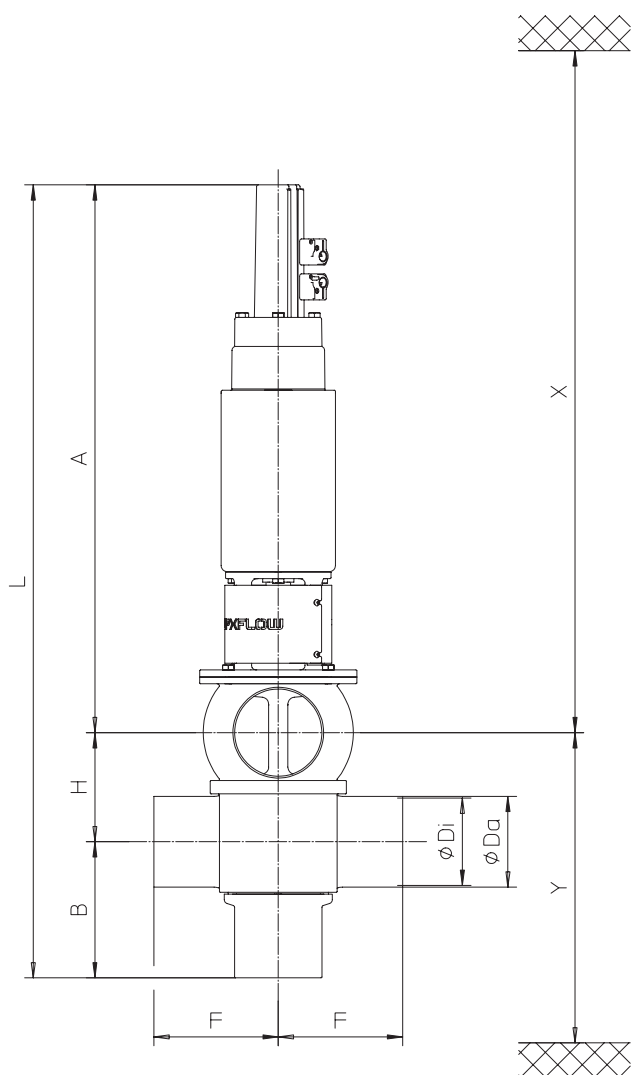


Dimensions in mm										install. dimen. min. in mm			weights in kg with CU
DN	A	A1	B	Ø Da	Ø Di	F	H	L	L1	X*	X1*	Y*	
40	483	596	120	41	38	125	63	666	779	710	819	213	19,8
50	487	600	126	53	50	125	75	688	801	740	841	231	20,9
65	495	578	134	70	66	125	91	720	803	780	843	255	22
80	583	696	146	85	81	142,5	106	835	948	890	988	282	22,1
100	593	706	156	104	100	142,5	125	874	987	940	1027	311	34,8
125	677	790	179	129	125	150	150	1006	1119	1030	1159	359	44
150	725	823	194	154	150	150	175	1094	1192	1075	1232	399	52
Inch													
1,5"	483	596	119	38,1	34,8	125	63	667	778	710	818	212	19,8
2"	487	600	125	50,8	47,6	125	75	688	800	740	840	230	20,9
2,5"	495	608	131	63,5	60,3	125	85,3	708,3	824,3	760	864,3	246,3	21,9
3"	583	696	137	76,1	72,9	125	97,9	732,9	930,9	790	970,9	264,9	22,1
4"	593	706	155	101,6	97,6	142,5	125	874	986	940	1026	310	33,8
6"	727	827	193	152,4	146,9	150	175	1095	1195	1080	1235	398	52

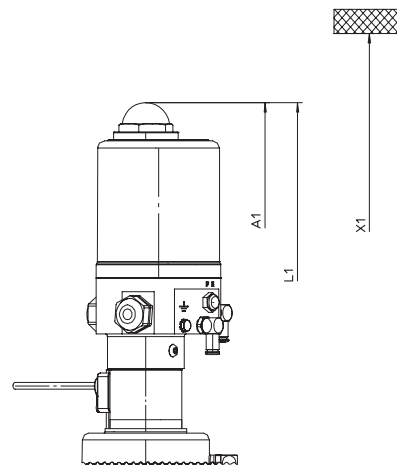
\*Minimum installation and valve insert removal dimensions

## 10. Dimensions / Weights

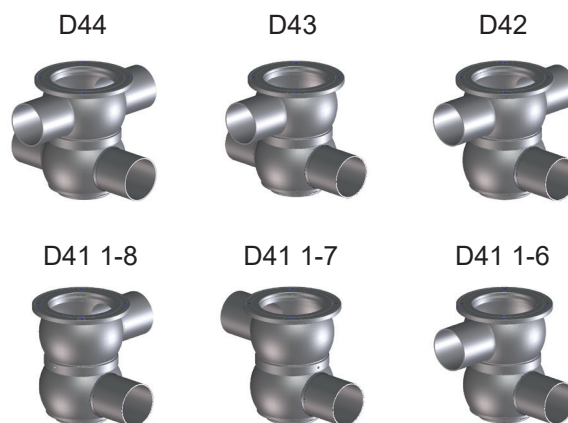
### 10.2. D4 SL Valve



#### IECEx CU ex ia M3 D4 control unit



#### housing configuration



Dimensions in mm										install. dimen. min. in mm			weights in kg with CU
DN	A	A1	B	Ø Da	Ø Di	F	H	L	L1	X*	X1*	Y*	
40	524	637	120	41	38	125	63	707	820	750	850	213	19,8
50	528	641	126	53	50	125	75	729	842	780	872	231	20,9
65	536	639	134	70	66	125	91	761	864	820	894	255	22
80	618	731	146	85	81	142,5	106	870	983	925	1013	282	22,1
100	628	741	156	104	100	142,5	125	909	1022	980	1052	311	34,8
125	677	790	179	129	125	150	150	1006	1119	1030	1149	359	44
150	725	823	194	154	150	150	175	1094	1192	1075	1222	399	56,5
Inch													
1,5"	526	639	119	38,1	34,8	125	63	708	821	815	851	212	16,8
2"	529	642	125	50,8	47,6	125	75	729	842	845	872	230	17,9
2,5"	534	647	131	63,5	60,3	125	85,3	750,3	863,3	870	893,3	246,3	18,9
3"	540	653	137	76,1	72,9	125	97,9	774,9	887,9	900	917,9	264,9	19,1
4"	629	742	155	101,6	97,6	142,5	125	909	1022	1040	1052	310	31,8
6"	727	824	193	152,4	146,9	150	175	1095	1192	1080	1222	398	53,5

\*Minimum installation and valve insert removal dimensions

## 11. Technical Data

### 11.1. General data

Product-wetted parts	1.4404, 316L (DIN EN 10088)
Other parts	1.4301,304 (DIN EN 10088)
Seals	
DN40–100/1,5"-4" standard	EPDM
DN40–100/1,5"-4" options	HNBR, FPM
DN125-150, 6" standard	EPDM/PTFE compound
DN125-150, 6" options	HNBR/PTFE compound FPM/PTFE compound
Max. line pressure	10 bar
Ambient temperature	0 °C - 55 °C**
Max. operating temperature	135 °C** EPDM, HNBR FPM*
Short-term load	140 °C** EPDM, HNBR FPM*
	*no steam **see table 4.2.
Valves > DN100/4"	CIP cleaning liquids up to 100 °C
Tightening torque for stop sleeve	10 Nm
Tightening torque for safety nuts at lower and upper valve shaft	40 Nm
Spray connection	PP (polypropylene)
Ø Cleaning connection	
DN 40–100/1,5-4"	8 x 1 mm
DN 125-150/6"	10 x 1 mm
Ø Air connection	6 x 1 mm, 1/4" OD
Max. pneumatic air pressure	8 bar
Min. pneumatic air pressure	5 bar

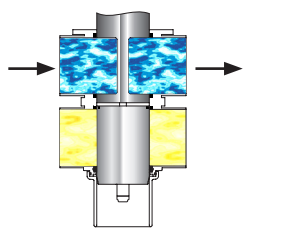
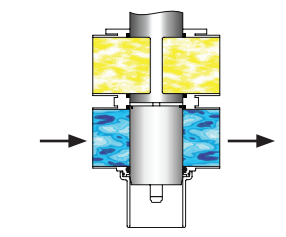
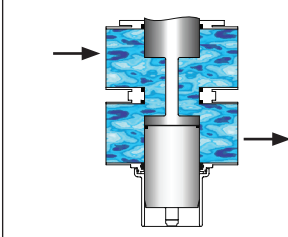
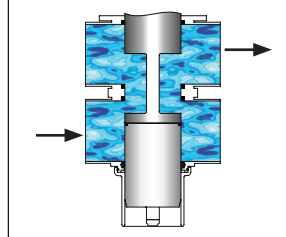
### 11.2. Compressed air quality

Quality class	acc. to DIN ISO 8573-1
Content of solid particles	quality class 3, max. size of solid particles per m <sup>3</sup> 10000 of 0,5 µm < d < 1,0 µm 500 of 1,0 µm < d < 5,0 µm
Content of water	quality class 3, max. dew point temperature -20°C For installations at lower temperatures or at higher altitudes, consider additional measures to reduce the pressure dew point accordingly.
Content of oil	quality class 1, max. 0,01 mg/m <sup>3</sup>

The oil applied must be compatible with Polyurethane elastomer materials.

## 11. Technical Data

### 11.3. Kvs values in m<sup>3</sup>/hr

DN								
	D4	D4 SL	D4	D4 SL	D4	D4 SL	D4	D4 SL
40	49	48	44	44	33	24	33	24
50	94	91	75	75	53	48	52	46
65	170	184	150	150	83	74	80	74
80	211	210	170	170	135	131	132	126
100	369	370	246	246	174	170	155	156
125	588	588	380	380	270	270	258	258
150	844	844	567	567	393	393	371	371
<b>Inch</b>								
1,5"	43	42	38	38	31	24	30	23
2"	87	83	71	71	51	46	51	46
2,5"	156	147	122	122	74	67	72	67
3"	192	183	160	160	88	83	85	82
4"	359	367	237	237	170	167	152	156
6"	808	808	548	548	386	386	370	370

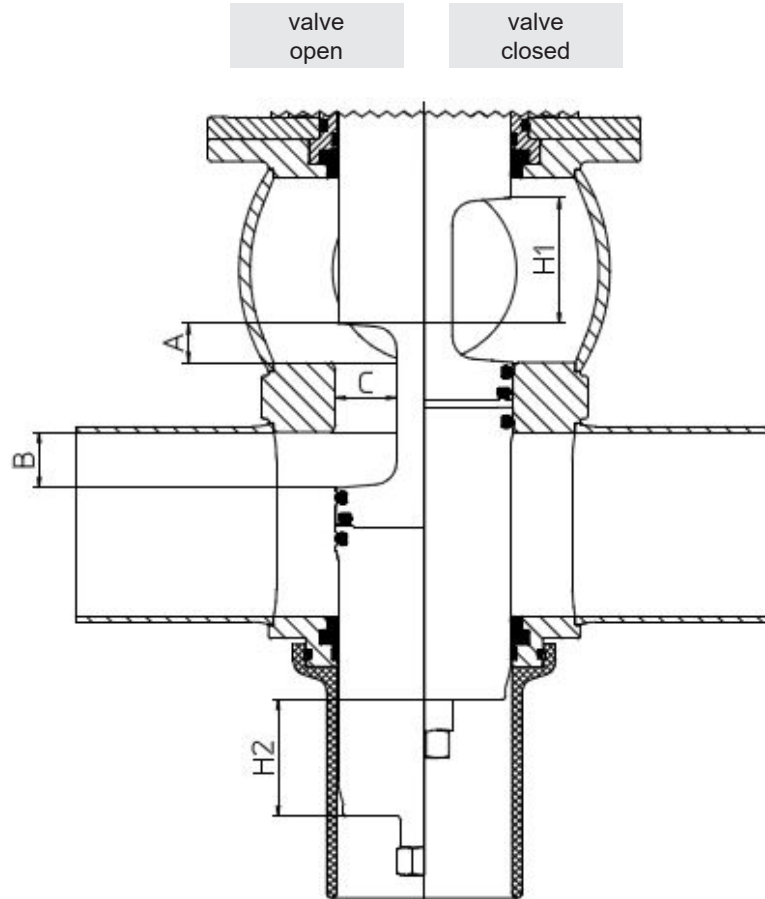
### 11.4. Air consumption / Switching times

D4 Valve		Air consumption at 5 bar	Switching times in seconds at 5 bar / CU41	
DN	Inch	Actuator	Open	Closed
		NL/stroke valve open		
40	1,5"	1,6	1,0	1,4
50	2"	1,8	1,1	1,7
65	2,5"	2	1,7	2,0
	3"	2	1,7	2,0
80	4"	3,7	2,6	3,3
100		3,7	2,6	3,3
125		5,5	3,4	5,2
150	6"	8,6	3,5	9,3

D4 SL Valve		Air consumption at 5 bar			Switching times in seconds at 5 bar / CU43	
DN	Inch	Actuator	Seat lift actuator		Open	Closed
		NL/stroke valve open	NL/stroke upper seat lift	NL/stroke lower seat lift		
40	1,5"	1,5	3,4	0,22	1,5	1,7
50	2"	1,7	3,4	0,22	1,5	1,7
65	2,5"	1,8	3,4	0,22	1,6	1,9
	3"	2	3,4	0,22	1,7	2,0
80	4"	3,7	7,7	0,22	2,6	3,3
100		3,7	7,7	0,22	2,6	3,3
125		5,5	10,5	0,22	3,4	5,2
150	6"	8,6	16,5	0,74	3,5	9,3

## 11. Technical Data

### 11.5. Valve stroke / Opening cross section



D4 Valve: Dimensions in mm					
DN	A	B	C	stroke H1 upper shaft	stroke H2 lower shaft
40	6	7	22	32	29
50	13	12	22	37	34
65	21	20	22	45	42
80	30	25	36	50	47
100	49	25	36	50	47
125	58	35	43	60	57
150	78	40	53	65	62
Inch					
1,5"	6	7	22	32	29
2"	13	12	22	37	34
2,5"	15,3	20	22	45	42
3"	27,9	20	22	45	42
4"	49	25	36	50	47
6"	78	40	53	65	62

D4 SL Valve: Dimensions in mm					
DN	A	B	C	stroke H1 upper shaft	stroke H2 lower shaft
40	4	4	22	29	26
50	9	9	22	34	31
65	13	12	22	45	42
80	24	25	36	50	47
100	43	25	36	50	47
125	58	35	43	60	57
150	78	40	53	65	62
Inch					
1,5"	4	4	22	29	26
2"	9	9	22	34	31
2,5"	14,3	14	22	39	36
3"	20,9	20	22	45	42
4"	43	25	36	50	47
6"	78	40	53	65	62

## 12. Maintenance



### Note!

The maintenance intervals are different depending on the application and must be determined by the operator performing regular checks.



Inspection of the seals shall be done at regular intervals based on the application of the valve.

- Compressed air is not required to remove the valve.



### Caution!

Do not clean the valve with products containing abrasive or polishing substances. Abrasive and polishing agents are especially harmful to the upper and lower shaft.



### Required tools for standard maintenance:

- 1 x wrench SW13, SW24, SW30, SW32
- 1 x wrench SW36
- 2 x wrench SW17
- 1 x Allen key SW3, SW6
- long hook with 45° tip or long nose pliers
- pick tool for O-ring and rubber seal removal
- double joint forceps
- assembly stick D4 for assembly of lower shaft seal, see page 30
- disassembly and assembly tool for lower shaft seal, see page 30
- assembly tool for middle seal, see page 31
- assembly tool for seat seals, see page 32
- 2 long M8 hex screws for safe removal of valve insert



It is recommended to perform installation, service and maintenance work in the absence of potentially explosive atmosphere in order to safeguard against unforeseen hazards. In accordance with Annex A of EN 1127-1:2019, it is allowed to use steel tools which can only cause single sparks in ATEX Zones 1 and 2 environment for such activities. In case of doubt, spark-resistant tools must be used!



Welding when necessary, shall always be carried out in the absence of explosive atmosphere. In all cases of installation, service or maintenance activity, all the energy sources of D4 / D4 SL valve shall be isolated.

- For valve maintenance SPX FLOW offers complete seal kits (see spare parts lists).



### Caution!

The use of seal materials being compatible with the product, application and CIP liquids must be ensured. In case of doubt, contact your local SPX FLOW representative.

- For seal replacement instructions, see section 13.2 to 13.3.
- Provide all seals with a thin layer of grease before their installation!
 

Recommendation:

Assembly grease for EPDM, HNBR and FPM (Viton)  
 0,75 kg/tin - ref.-No. 000 70-01-019/93; H147382  
 60 g/tube - ref.-No. 000 70-01-018/93; H147381
- Provide all screws and threaded parts with grease before their installation.
 

Recommendation: Klüber paste UH1 84-201  
 60 g/Tube - ref.-No. 000 70-01-016/93; H147379

Recommendation for actuator:  
 Pneumatic grease:  
 25 ml/tube - ref.-No. 000 70-01-008/93; H164725
- For valve assembly instructions, see section 13.3.



## 12. Maintenance



### Caution!

Special instructions for seals and cylinder

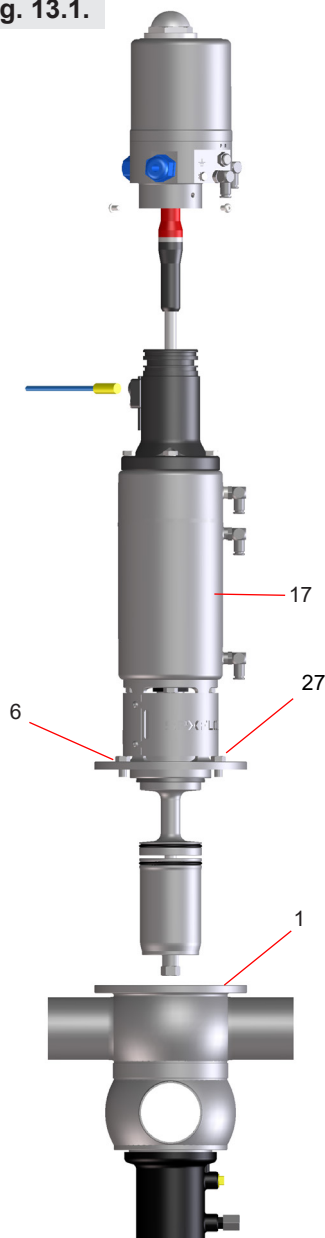
Valve maintenance for seals	Note
standard load 1-shift-operation	<b>1 x annually up to 10.000 cycles p.a.</b> <b>1 x semi-annually above 10.000 cycles p.a.</b>
hot operation temperature above 80°C	<b>minimum 1 x semi-annually</b>
Valve maintenance for actuator with spring	Note
Functional test, visual inspection of valve stroke and control of abnormal running noise of spring	<b>1 x per year</b>
Change interval of actuator	<b>In case of damage, incomplete actuator movement, considerable running noise of spring as well as after 250,000 cycles* as preventive measure, however, after 10 years at the latest.</b>
<b>*complies with about 8 years in 1-shift-operation and 10-15 cycles per hour.</b>	

## 13. Service Instructions

The item numbers refer to the spare parts drawings

D4 1,5"-4", DN40-100	RN 500.047.01
D4 6", DN125-150	RN 500.047.03
D4 SL 1,5"-4", DN40-100	RN 501.047.01
D4 SL 6", DN125-150	RN 501.047.03

fig. 13.1.



For the Disassembly/Assembly tools, see chapter 15.



### Caution!

It is recommended to perform installation, service and maintenance work in the absence of potentially explosive atmosphere in order to safeguard against unforeseen hazards. In accordance with Annex A of EN 1127-1:2019, it is allowed to use steel tools which can only cause single sparks in ATEX Zones 1 and 2 environment for such activities. In case of doubt, spark-resistant tools must be used!



Welding when necessary, shall always be carried out in the absence of explosive atmosphere. In all cases of installation, service or maintenance activity, all the energy sources of D4 / D4 SL valve shall be isolated.

### 13.1. Removal from the line system

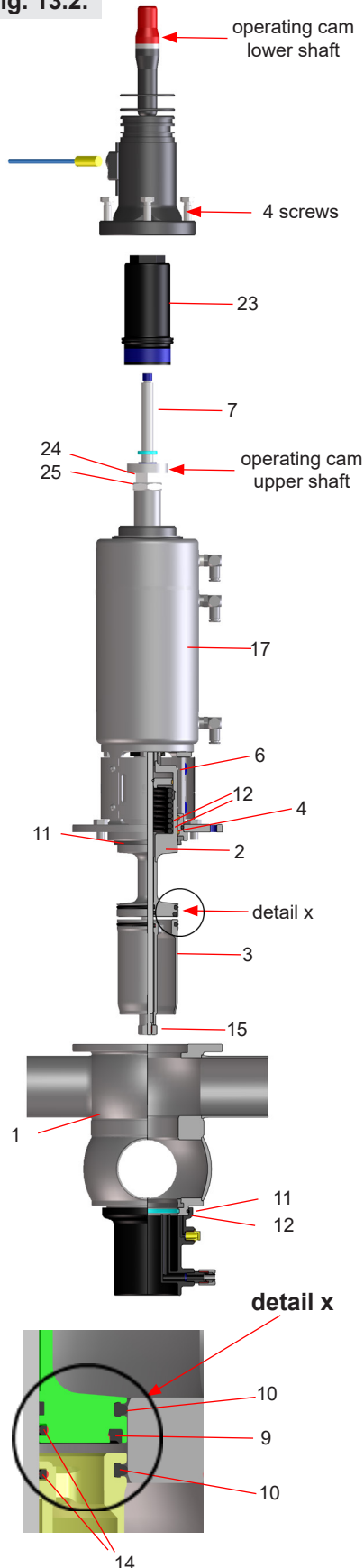


#### Caution!

1. Shut off the line pressure in the product and cleaning lines, and discharge the pipes if possible.
2. Remove the compressed air lines from the valve actuator (17).
3. Remove the external proximity switch in the CU adapter. Release the 2 screws at the ring and lift the control unit off the adapter.
4. Design with proximity switch holder:  
Release the screws at the proximity switch holder and lift off the proximity switch holder.
5. Remove the flange screws (27) in the yoke (6). For additional safety, replace two flange screws with longer screws that are partially threaded into the flange. Once these longer screws are in place, the other two flange screws can be safely removed.
6. Screw one flange screw (27) into the threaded bore of the yoke (6) to lift the complete valve insert. Do not remove the screw. It helps to re-install the valve insert.
7. Carefully lift the valve insert vertically out of the valve housing (1).

## 13. Service Instructions

fig. 13.2.



For the Disassembly/Assembly tools, see chapter 15.

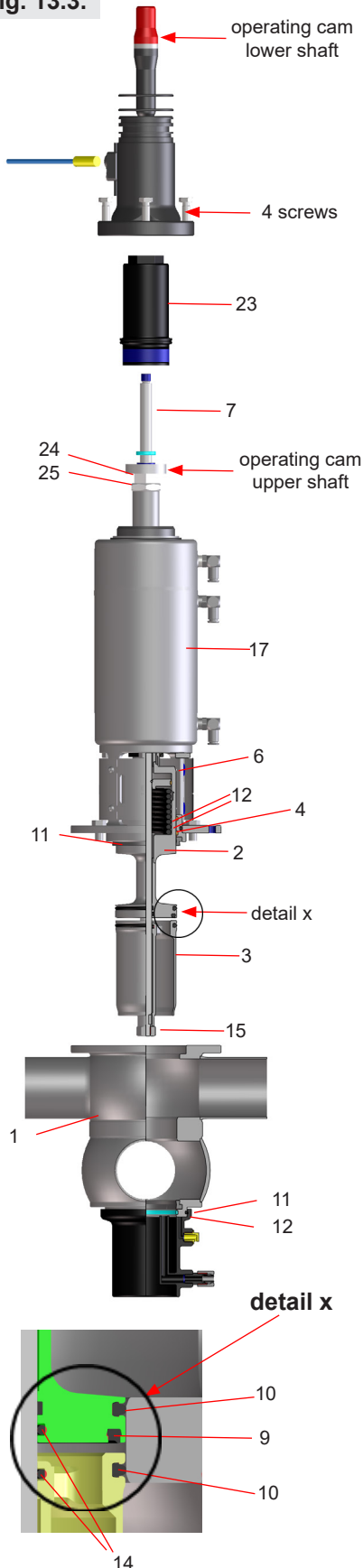
### 13.2. Removal of product-wetted parts

1. Remove the operating cam from the guide rod (7).
2. In order to take off the adapter, remove the 4 screws.
3. Release the lower safety nut (15). Hold the lower shaft (3) with an SW17 wrench to keep it from turning.
4. After removing the nut (15), lift off the lower shaft (3).
5. Place the point of the tool along the side of the seat seal (10) and pull it out of the groove. Take the quad ring (14) out of the groove.
6. Remove the stop screw (23).
7. Take the guide rod (7) out through the top of the actuator.
8. Remove the operating cam at the upper shaft.
9. Unscrew the safety nut (24). Hold up the lock washer (25) with a SW30 key to keep it from turning. Remove the lock washer.
10. Lift off the actuator (17) with yoke (6).
11. Slide the shaft bearing (4) over the balancer of the upper valve shaft (2).
12. Remove the shaft seal (11), DN125/150,6" also (11.1), and guide rings (12) from the grooves.
13. Removing the seals in the upper shaft  
Place the point of the tool along the side of the seat seal (10) and middle seal (9) and pull them out of the groove. Take the quad ring (14) out of the groove.
14. Removing the lower shaft seal from the housing  
Place the point of the disassembly tool along the side of the shaft seal (11) and pull it out through the top of the housing (1).
15. Only applies for sizes DN40-100, 1,5"-4": Place the metal point of a hook in the gap of the guide ring (12). Slightly turn the hook to lift the guide ring (12) out of the groove and housing (1).

## 13. Service Instructions

For the Disassembly/Assembly tools, see chapter 15.

**fig. 13.3.**



### 13.3. Installation of product-wetted seals and assembly of the valve



**Note!**

Make sure that all seals and bearing surfaces in the product area are slightly greased before their installation.

1. Only applies for sizes DN40-100, 1,5"-4": Install the guide ring (12) in the lower flange of the housing (1) using a double joint forceps or long nose pliers.
2. Install the lower shaft seal (11), DN125/150,6" also (11.1), in the lower housing flange. For the small size, we recommend using the 2 insertion tools, see chapter 13.
3. Install the quad ring (14) in the upper shaft (2) and lower shaft (3).
4. Insert the middle seal (9) in the upper shaft (3) using the assembly tool (see chapter 13.2).
5. Insert the 2 seat seals (10) in the grooves of the upper shaft (2) and lower shaft (3).
6. Install the shaft seal (11) and the two guide rings (12) in the shaft bearing (4).
7. Slide the shaft bearing (4) over the balancer of the upper shaft (2).
8. Slide the upper shaft (2) and the shaft bearing (4) through the yoke (6) and actuator (17).
9. Align key and fasten the upper valve shaft (2) with the lock washer (25) and safety nut (24). Hold the lock washer (25) with a SW30 wrench to keep the lock washer from turning.  
Tightening torque:  $M_d = 40 \text{ Nm}$



**Caution!**

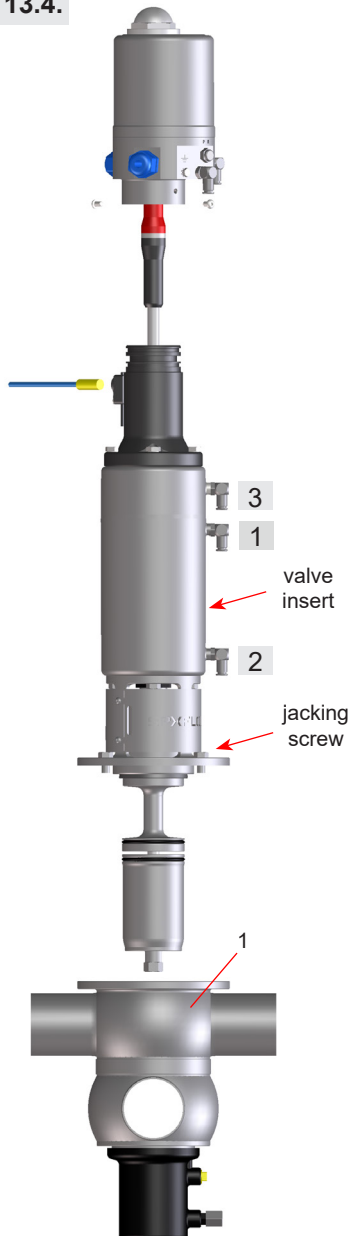
Overtightening of the safety nut could result in thread damage on the upper shaft.

10. Screw the operating cam on the upper shaft.
11. Ensure the key is secure on the guide rod. Slide in the guide rod (7) from the top through the actuator (17) until it stops.
12. Screw in the stop screw (23) until it stops.  
Tightening torque  $M_d = 10 \text{ Nm}$   
The stop screw must be flush with the top of the collar (D4) or piston (D4 SL).
13. Slide the lower valve shaft (3) on the guide rod (7). Align the lower shaft to the key on the guide rod and fasten it with the safety nut (15). Tightening torque:  $M_d = 40 \text{ Nm}$
14. Fasten the adapter on the actuator with the 4 screws and ensure that the air fittings on the CU will align properly with the air fittings on the D4 valve.
15. Screw the operating cam on the guide rod (7).

## 13. Service Instructions

### 13.4. Installation of the valve insert

fig. 13.4.



1. Carefully place the valve insert in the valve housing (1) until the screw stops.
2. Remove the jacking screw and carefully press the valve insert into the housing (1).
3. Screw in the hex. screws (27) and fasten them crosswise.
4. Place the control unit on the adapter. Make sure that the control unit is centered on the adapter.
5. Place the ring and fasten it with the screws.
6. Assemble the compressed air lines.
 

<b>D4 Valve:</b>	Air connection 1:	to open valve
<b>D4 SL Valve:</b>	Air connection 1:	to open valve
	Air connection 2:	to lift upper shaft
	Air connection 3:	to lift lower shaft
7. Check the valve position indicators in the IECEx CU ex ia (with proximity switch holder - PSH):

#### Closed valve position

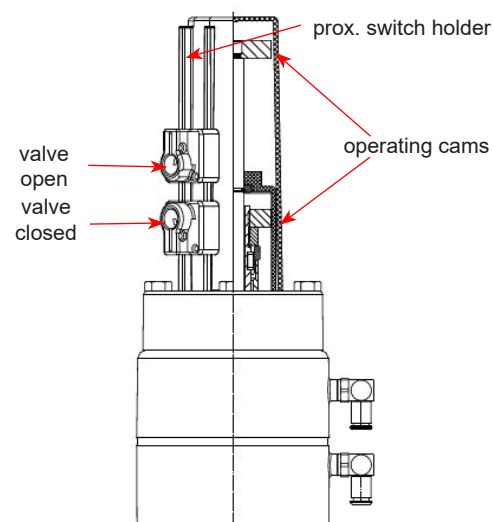
The adjustment of the external proximity switch has to be done against the closing direction of the D4 / D4 SL valve. First slide the proximity switch in closing direction until the signal of the proximity switch LED disappears. Then slowly slide against the closing direction. When the LED signal appears, shift another 2 mm to permit hysteresis and small variations.

#### Open valve position

The adjustment of the internal (with PSH: external) proximity switch has to be done against the opening direction of the D4 / D4 SL valve. First slide the proximity switch in opening direction until the signal of the proximity switch LED disappears. Then slowly slide against the opening direction. When the LED signal appears, shift another 2 mm to permit hysteresis and small variations.

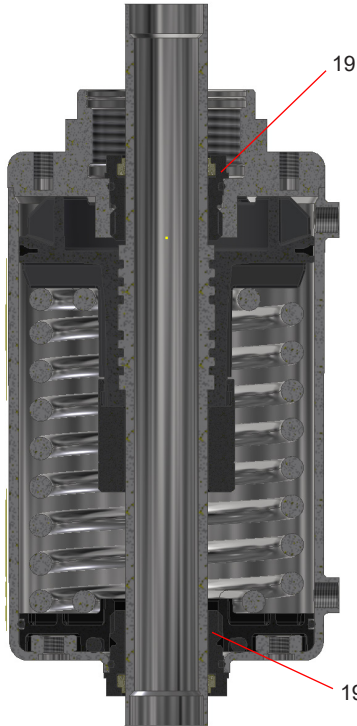
fig. 13.4.1.

D4 / D4 SL with valve position indication



## 14. Maintenance of Actuator

fig. 14.: D4 Valve actuator



The item numbers refer to the spare parts drawings

D4 1,5"-4", DN40-100	RN 500.047.01
D4 6", DN125-150	RN 500.047.03
D4 SL 1,5"-4", DN40-100	RN 501.047.01
D4 SL 6", DN125-150	RN 501.047.03



Actuators must be replaced after 250,000 operating cycles or after 10 years at the latest. Contact SPX FLOW or your distributor for replacement.

### 14.1 Removing the actuator screws

1. Remove yoke cover and yoke.
2. Unscrew the two actuator screws (19) with an SW36 socket wrench.
3. Remove the V-seals (20) and O-rings (18).

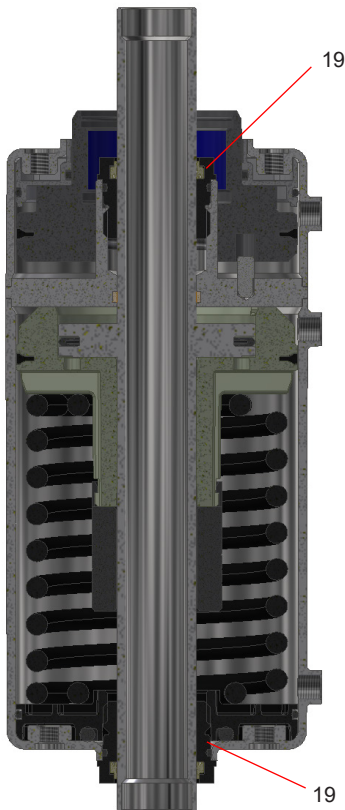
### 14.2 Installing the seals and assembling the actuator

1. Install the slightly greased O-rings (18) and V-seals (20) in the actuator screws (19). Check the correct installation position of the V-seal (20).

#### Recommendation for actuator:

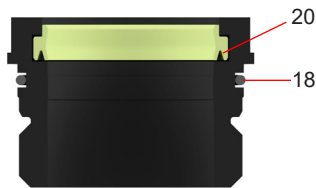
Pneumatic grease  
(25 ml /tube - ref.-No. 000 70-01-008/93; H164725)

fig. 14.: D4 SL Valve actuator

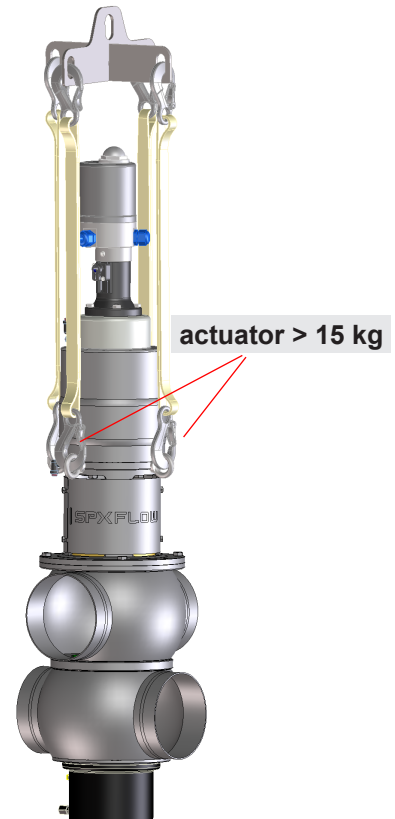


2. Place the assembly tool (H338580) on the end of the piston rod. Screw the actuator screws (19) with a socket wrench SW36 over the piston rod at both sides of the actuator and fasten them.
3. Re-install yoke and yoke cover.

#### ATEX actuator screw

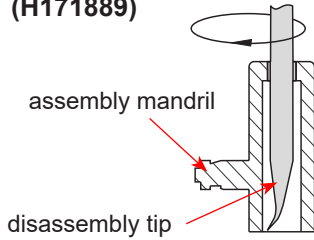


#### Assembly tool for actuator screw (H338580)

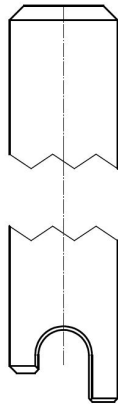


## 15. Assembly Instructions and Tools for Seals

### Assembly tool (H171889)



### Assembly stick (H338450)



### 15.1. Lower shaft seal

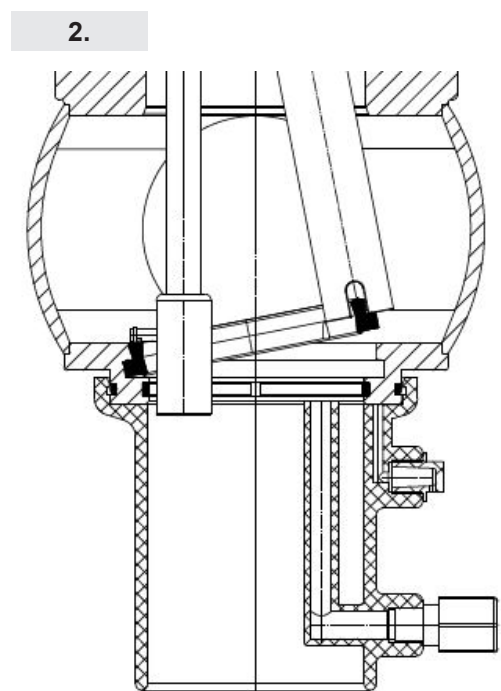
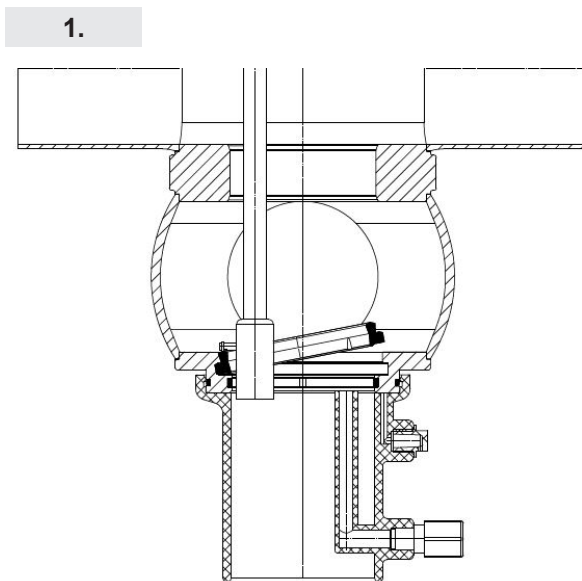
For the simple assembly of the lower shaft seal (11), the assembly/disassembly tool (H171889) and the assembly stick (H338450) can be used. These tools are especially recommended for valves of small series (DN40-65, 1,5"-3") as access to the lower shaft seal from the top is impossible as a result of the narrow seat.



#### Caution!

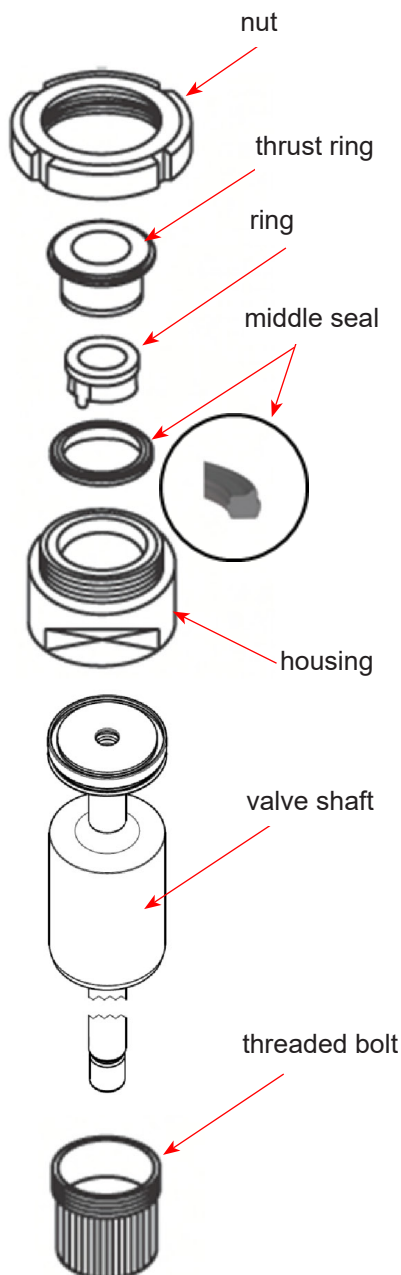
To avoid injuries the disassembly tip must be covered by the assembly mandril if not used.

1. Slightly grease the shaft seal (11).
2. Use the assembly tool to insert the shaft seal from the top, the wide side to the front, through the intermediate ring of the housing into the lower flange housing ball (fig 1.).
3. Position the shaft seal (11) using the groove of the assembly mandril.
4. Press the shaft seal (11) at one spot in the groove of the housing flange and continue to press on the shaft seal.
5. Position the groove of the assembly stick on the seal lip. Slightly turn the stick and position the shaft seal (11) in the groove. Slide further around the seal lip and insert the shaft seal in a similar manner until the shaft seal is completely in the groove.



## 15. Assembly Instructions and Tools for Seals

### 15.2. Middle seal



**The assembly tool consists of:**

- nut
- thrust ring
- ring with venting tip
- housing
- threaded bolt

#### Installation of the middle seal in the valve shaft

1. Insert the valve shaft into the housing making sure that the seal groove is in the housing.
2. Use the threaded bolt to clamp the shaft into the housing. Clamp the housing into a vice.
3. Slightly grease the middle seal with assembly grease. Then install the seal on the ring.
4. Insert the ring with the installed seat seal into the housing. Make sure that the venting tip is positioned in the seal groove.
5. Insert the thrust ring around the ring in the housing. Screw on the nut and tighten it with a hook spanner until it stops.
6. Release the nut. Take the ring and thrust ring off the housing.
7. Take the housing out of the vice. Take off the threaded bolt. Detach the valve shaft from the housing.

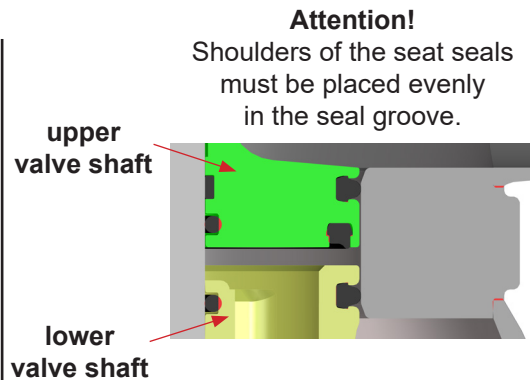
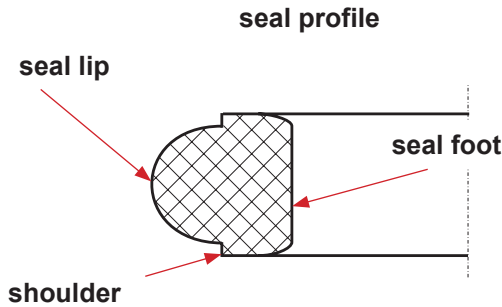
**Make sure the middle seal fits evenly.**

Assembly tool for middle seal			
DN	Inch	Designation	Reference number
40	1,5"	DA3 - 62	51-13-210/17 H207310
50	2"		
65	2,5" 3"		
80	4"	DA3 - 92	51-13-211/17 H207311
100			
125		D4 - 114	51-13-675/17 H340758
150	6"	D4 - 138	51-13-677/17 H340823

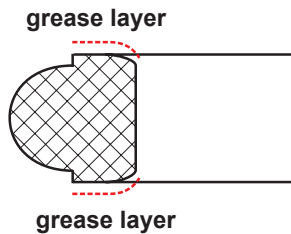


## 15. Assembly Instructions and Tools for Seals

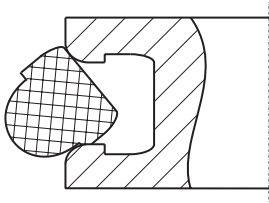
### 15.3. Seat seals



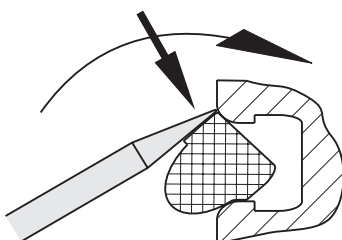
1. Provide the seal shoulder with a thin layer of grease.



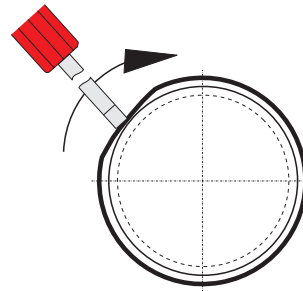
2. Insert the seat seal into the valve shaft; see to an even inclined position of the seal.



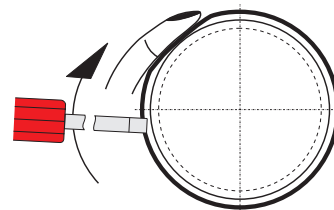
3. Press the seal circumferentially into the groove by means of an assembly tool (use screw driver with round edges). Place the assembly tool at the upper seal shoulder. To get an even fit of the seal, proceed step by step:



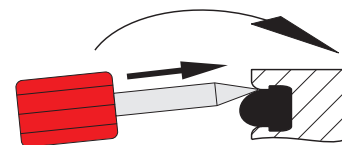
- 3.1. Press a short piece part of the seal into the groove.



- 3.2. Fix the seal - already pressed in - by your finger (to prevent loops). Use the assembly tool to press a short part of the seal into finger direction. Install the seal in the groove circumferences.



4. Press the assembly tool between the seal shoulder and the groove edge (both sides). Proceed around the circumferences. Then proceed around the circumferences of the lower seal shoulder. This is to vent the seal groove and to lock the seal shoulder.



## 16. Trouble Shooting

Failure	Valve position		Required seal replacement
	closed	open	
Leakage at upper housing flange or yoke	x	x	upper shaft seal (11)
Leakage from the inside of the lower valve shaft	x		seat seals (10)
Leakage from the inside of the lower valve shaft		x	middle seal (9)
Leakage at the outside of the lower valve shaft (remove spray connection for this purpose)	x	x	lower shaft seal (11)

The position numbers refer to the spare parts drawings.

**Note!**

Inspection of the seals shall be done at regular intervals based on the application of the valve.

## 17. Spare Parts Lists

The reference numbers of the spare parts for the different valve designs and sizes are included in the attached spare parts drawings with corresponding lists.

Please consider that the spare parts lists for the **D4 valve** and the **D4 SL valve** - respectively standard and large sizes - are different. You find **four separate lists** in the annex to this instruction manual.

Please indicate the following data to place an order for spare parts:

- number of required parts
- reference number
- designation.

Data are subject to change.

Information contained in this document is subject to change without notice and does not represent a commitment on the part of SPX FLOW, Inc.. No part of this document may be reproduced or transmitted in any form or by any means, electronic or mechanical, including photocopying and recording, for any purpose, without the express written permission of SPX FLOW, Inc..

Spare Parts list

# Double seat mix proof valve D4 ex ia Zone 1 DN40 - 100 , 1,5" - 4"

SPX FLOW

Page 1 of 12

RN 500.047.04

Date: 18.05.21

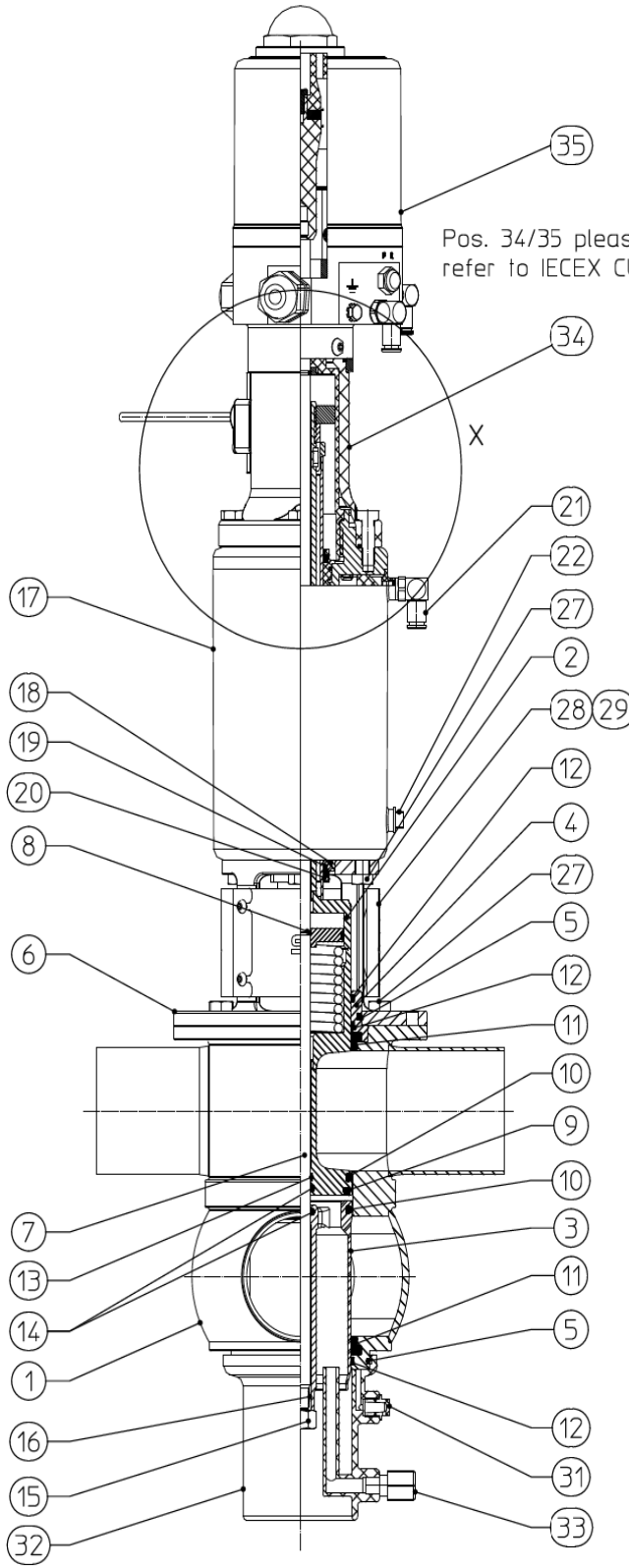
Name: C.Keil

Reviewed:

Date:

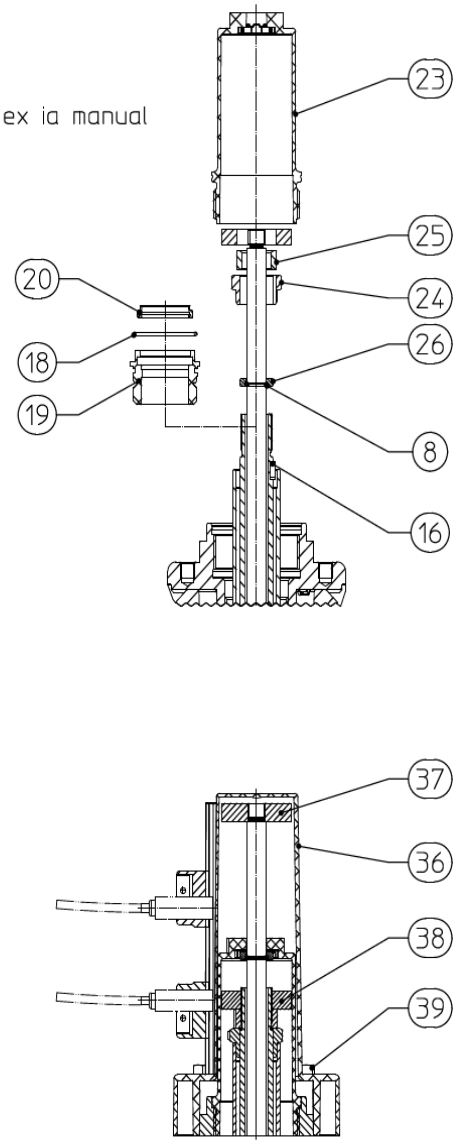
Name:

Reviewed:



Pos. 34/35 please refer to IECEx CU ex ia manual

Detail X



Information contained in this document is subject to change without notice and does not represent a commitment on the part of SPX FLOW, Inc.. No part of this document may be reproduced or transmitted in any form or by any means, electronic or mechanical, including photocopying and recording, for any purpose, without the express written permission of SPX FLOW, Inc..

Spare parts list

**Double seat mix proof valve D4 ex ia Zone 1 - 1,5"**

Date:	18.05.21
Name:	C.Keil
Reviewed:	
Date:	
Name:	
Reviewed:	
Page 2 of 12	
<b>RN 500.047.04</b>	

**SPX FLOW**

pos. item	Quantity	Description, product contacted seals with reference number	included in spare parts (pos.)	Material	Part no.
1	1	Valve Housing D44-1,5"		1.4404	H335272
		Valve Housing D43-1,5"		1.4404	H337038
		Valve Housing D42-1,5"		1.4404	H337028
		Valve Housing D41/ 1-8-1,5"		1.4404	H337195
		Valve Housing D41/ 1-7-1,5"		1.4404	H337175
		Valve Housing D41/ 1-6-1,5"		1.4404	H337185
2	1	Upper valve shaft	13, 16, 25	1.4404	H341253
3	1	Lower valve shaft		1.4404	H334986
4	1	Shaft bearing - 62 D4		1.4404	H334381
5	1	O-ring		1.4404	H77039
6	1	Yoke D4 - 62		1.4404	H334383
7	1	Guide Rod - 40/1,5"	8, 15, 16	1.4404	H341282
8	2	Retainer ring		1.4301	H14883
		Middle seal 58-33-998/93		EPDM	H327602
9	1	Middle seal 58-33-998/33		HNBR	H332652
		Middle seal 58-33-998/73		FPM	H332653
		Seat seal 58-33-132/93		EPDM	H168192
10	2	Seat seal 58-33-132/33		HNBR	H171561
		Seat seal 58-33-132/73		FPM	H171559
		Shaft seal 58-33-400/93		EPDM	H337476
11	2	Shaft seal 58-33-400/33		HNBR	H337478
		Shaft seal 58-33-400/73		FPM	H337477
12	1	Guide ring		Iglidur A500	H334863
13	1	Guide band		Acoflon	H334865
14	1	Quad ring 12.37x 2.62		EPDM	H311646
15	2	Hex. Screw M10x1		A2	H118903
16	1	Square key DIN6885 - A - 3x3x10		A2	H335171
17	1	ATEX Actuator D4	18, 19, 20	1.4301	H344349
18	2	O-ring 30 x 2.5		1.4301	H337897
19	2	ATEX Actuator screw D4		Iglidur X	H343859

pos. item	Quantity	Description, product contacted seals with reference number	included in spare parts (pos.)	Material	Part no.
20	2	V-seal		NBR	H334379
21	1	W-union G1/8" Ø6mm		hard nickel-pl.	H208825
22	1	Venting plug G-1/8"		PE-Hard	H16218
23	1	Stop screw		Grivory	H334382
24	2	Lock washer D4		1.4301	H335172
25	2	Safety nut D3		1.4301	H147640
26	2	Thrust ring		1.4057	H123151
27	8	Hex. screw M8 x 16		A2	H78772
28	1	Yoke cover D4 - 62	29	1.4301	H341311
29	4	Savetix head screw M4 x 8 washer M4 as set		1.4301	H336707
31	1	Venting plug G-1/8"		PE-Hard	H16507
32	1	Spray connection DE3		PP	H168321
33	1	G-union 8x1-G1/8"		PVDF-black	H16388
34	1	IECEX Cu ex ia D4 Adapter cpl.		PEHD 1000 - bl.	H343596
35	1	IECEX Cu ex ia 1M D4 24V		1.4301	H344227
36	1	Prox. Switch holder D4 compl.		SAXAMID	H344380
37	1	Operating cam D4 bottom		1.4523 / 444FR	H334386
38	1	Operating cam D4 top		1.4523 / 444FR	H334387
39	1	Hexagon screw M8 x 40		A2-70	H336675

**Pos. 9, 10, 11, 12, 14 available as complete seal kits only**

Seal kit D4-Ø62	EPDM	H337884
Seal kit D4-Ø62	HNBR	H337885
Seal kit D4-Ø62	FPM	H337886

Information contained in this document is subject to change without notice and does not represent a commitment on the part of SPX FLOW, Inc.. No part of this document may be reproduced or transmitted in any form or by any means, electronic or mechanical, including photocopying and recording, for any purpose, without the express written permission of SPX FLOW, Inc..

Spare parts list

**Double seat mix proof valve D4 ex ia Zone 1 - DN40**

Date:	18.05.21
Name:	C.Keil
Reviewed:	
Date:	
Name:	
Reviewed:	
Page 3 of 12	
RN 500.047.04	

**SPX FLOW**

pos. item	Quantity	Description, product contacted seals with reference number	included in spare parts (pos.)	Material	Part no.
1	1	Valve Housing D44-40		1.4404	H335273
		Valve Housing D43-40		1.4404	H337033
		Valve Housing D42-40		1.4404	H337023
		Valve Housing D41/1-8-40		1.4404	H337190
		Valve Housing D41/1-7-40		1.4404	H337170
2	1	Upper valve shaft	13, 16, 25	1.4404	H337180
3	1	Lower valve shaft		1.4404	H341253
4	1	Shaft bearing - 62 D4		1.4404	H334986
5	1	O-ring		1.4404	H334381
6	1	Yoke D4 - 62		1.4404	H77039
7	1	Guide Rod - 40/1,5"	8, 15, 16	1.4404	H334383
8	2	Retainer ring		1.4301	H341282
		Middle seal		EPDM	H14883
9	1	Middle seal		EPDM	H327602
	1	Middle seal		HNBR	H32652
	1	Middle seal		FPM	H332653
10	2	Seat seal		EPDM	H168192
	2	Seat seal		HNBR	H171561
	2	Seat seal		FPM	H171559
11	2	Shaft seal		EPDM	H337476
	2	Shaft seal		HNBR	H337478
	2	Shaft seal		FPM	H337477
12	1	Guide ring		Iglidur A500	H334863
	1	Guide band		Acoflon	H334865
13	1	Quad ring 12.37x 2.62		EPDM	H311646
	2	Hex. Screw M10x1		A2	H118903
16	1	Square key		A2	H335171
	1	DIN6885 - A - 3x3x10		A2	H344349
17	1	ATEX Actuator D4	18, 19, 20	1.4301	H337897
18	2	O-ring 30 x 2.5		1.4301	H337885
19	2	ATEX Actuator screw D4		Iglidur X	H343859

pos. item	Quantity	Description, product contacted seals with reference number	included in spare parts (pos.)	Material	Part no.
20	2	V-seal		NBR	H334379
21	1	W-union G1/8" Ø6mm		hard nickel-pl.	H208825
22	1	Venting plug G-1/8"		PE-Hard	H16218
23	1	Stop screw		Grivory	H334382
24	2	Lock washer D4		1.4301	H335172
25	2	Safety nut D3		1.4301	H147640
26	2	Thrust ring		1.4057	H123151
27	8	Hex. screw M8 x 16		A2	H78772
28	1	Yoke cover D4 - 62	29	1.4301	H341311
29	4	Savetix head screw M4 x 8 washer M4 as set		1.4301	H336707
31	1	Venting plug G-1/8"		PE-Hard	H16507
32	1	Spray connection DE3		PP	H168321
33	1	G-union 8x1-G1/8"		PVDF-black	H16388
34	1	IECEX CU ex ia D4 Adapter cpl.		PEHD 1000 - bl.	H343596
35	1	IECEX Cu ex ia 1M D4 24V		1.4301	H344227
36	1	Prox. Switch holder D4 compl.		SAXAMID	H344380
37	1	Operating cam D4 bottom		1.4523 / 444FR	H334386
38	1	Operating cam D4 top		1.4523 / 444FR	H334387
39	1	Hexagon screw M8 x 40		A2-70	H336675

**Pos. 9, 10, 11, 12, 14 available as complete seal kits only**

		Seal kit D4-Ø62		EPDM	H337884
		Seal kit D4-Ø62		HNBR	H337885
		Seal kit D4-Ø62		FPM	H337886

Information contained in this document is subject to change without notice and does not represent a commitment on the part of SPX FLOW, Inc.. No part of this document may be reproduced or transmitted in any form or by any means, electronic or mechanical, including photocopying and recording, for any purpose, without the express written permission of SPX FLOW, Inc..

Spare parts list

Double seat mix proof valve D4 ex ia Zone 1 - DN50

Date: 18.05.21  
 Name: C.Keil  
 Reviewed:

Date: \_\_\_\_\_  
 Name: \_\_\_\_\_  
 Reviewed: \_\_\_\_\_

Page 4 of 12  
 RN 500.047.04

SPX FLOW

pos. item	Quantity	Description, product contacted seals with reference number	included in spare parts (pos.)	Material	Part no.	pos. item	Quantity	Description, product contacted seals with reference number	included in spare parts (pos.)	Material	Part no.
1	1	Valve Housing D44-50		1.4404	H335274	20	2	V-seal		NBR	H334379
		Valve Housing D43-50		1.4404	H337034	21	1	W-union G1/8" Ø6mm		hard nickel-pl.	H208825
		Valve Housing D42-50		1.4404	H337024	22	1	Venting plug G-1/8"		PE-Hard	H16218
		Valve Housing D41/1-8-50		1.4404	H337191	23	1	Stop screw		Grivory	H334382
		Valve Housing D41/1-7-50		1.4404	H337171	24	2	Lock washer D4		1.4301	H335172
2	1	Upper valve shaft		1.4404	H337181	25	2	Safety nut D3		1.4301	H147640
		Lower valve shaft	13, 16, 25	1.4404	H341254	26	2	Thrust ring		1.4057	H123151
3	1	Lower valve shaft		1.4404	H334987	27	8	Hex. screw M8 x 16		A2	H78772
		Shaft bearing - 62 D4		1.4404	H334381	28	1	Yoke cover D4 - 62	29	1.4301	H341311
5	1	O-ring		1.4404	H77039	29	4	Savetix head screw M4 x 8 washer M4 as set		1.4301	H336707
		Yoke D4 - 62		1.4404	H334383	31	1	Venting plug G-1/8"		PE-Hard	H16507
7	1	Guide Rod - 50/2"	8, 15, 16	1.4404	H341283	32	1	Spray connection DE3		PP	H168321
		Retainer ring		1.4301	H14883	33	1	G-union 8x1-G1/8"		PVDF-black	H16388
9	1	Middle seal 58-33-998/93		EPDM	H327602	34	1	IECEX Cu ex ia D4 Adapter cpl.		PEHD 1000 - bl.	H343596
		Middle seal 58-33-998/33		HNBR	H332652	35	1	IECEX Cu ex ia 1M D4 24V		1.4301	H344227
		Middle seal 58-33-998/73		FPM	H332653	36	1	Prox. Switch holder D4 compl.		SAXAMID	H344380
10	2	Seat seal 58-33-132/93		EPDM	H168192	37	1	Operating cam D4 bottom		1.4523 / 444FR	H334386
		Seat seal 58-33-132/33		HNBR	H171561	38	1	Operating cam D4 top		1.4523 / 444FR	H334387
11	2	Seat seal 58-33-132/73		FPM	H171559	39	1	Hexagon screw M8 x 40		A2-70	H336675
		Shaft seal 58-33-400/93		EPDM	H337476						
12	2	Shaft seal 58-33-400/33		HNBR	H337478						
		Shaft seal 58-33-400/73		FPM	H337477						
13	1	Guide ring		Iglidur A500	H334863						
		Guide band		Acoflon	H334865						
14	1	Quad ring 12.37x 2.62		EPDM	H311646						
		Hex. Screw M10x1		A2	H118903						
16	1	Square key DIN6885 - A - 3x3x10		A2	H335171						
		ATEX Actuator D4	18, 19, 20	1.4301	H344350						
18	2	O-ring 30 x 2.5		1.4301	H337897						
		ATEX Actuator screw D4		Iglidur X	H343859						
19	2	ATEX Actuator screw D4									

Pos. 9, 10, 11, 12, 14 available as complete seal kits only

		Seal kit D4-Ø62		EPDM	H337884
		Seal kit D4-Ø62		HNBR	H337885
		Seal kit D4-Ø62		FPM	H337886

Information contained in this document is subject to change without notice and does not represent a commitment on the part of SPX FLOW, Inc.. No part of this document may be reproduced or transmitted in any form or by any means, electronic or mechanical, including photocopying and recording, for any purpose, without the express written permission of SPX FLOW, Inc..

Spare parts list

**Double seat mix proof valve D4 ex ia Zone 1 - 2"**

Date:	18.05.21
Name:	C.Keil
Reviewed:	
Date:	
Name:	
Reviewed:	
Page 5 of 12	
<b>RN 500.047.04</b>	

**SPX FLOW**

pos. item	Quantity	Description, product contacted seals with reference number	included in spare parts (pos.)	Material	Part no.
1	1	Valve Housing D44-2"		1.4404	H335271
		Valve Housing D43-2"		1.4404	H337039
		Valve Housing D42-2"		1.4404	H337029
		Valve Housing D41/1-8-2"		1.4404	H337196
		Valve Housing D41/1-6-2"		1.4404	H337176
2	1	Upper valve shaft	13, 16, 25	1.4404	H337186
	1	Lower valve shaft		1.4404	H341254
3	1	Shaft bearing - 62 D4		1.4404	H334987
4	1	O-ring		1.4404	H334381
5	1	Yoke D4 - 62		1.4404	H77039
6	1	Guide Rod - 50/2"	8, 15, 16	1.4404	H334383
7	1	Middle seal		1.4404	H341283
	2	Retainer ring		1.4301	H14883
8	1	Middle seal		EPDM	H327602
	1	Middle seal		HNBR	H332652
	1	Middle seal		FPM	H332653
9	2	Seat seal		EPDM	H168192
	2	Seat seal		HNBR	H171561
10	2	Seat seal		FPM	H171559
	2	Shaft seal		EPDM	H337476
11	2	Shaft seal		HNBR	H337478
	2	Shaft seal		FPM	H337477
12	1	Guide ring		Iglidur A500	H334863
	1	Guide band		Acoflon	H334865
13	1	Quad ring 12.37x 2.62		EPDM	H311646
	2	Hex. Screw M10x1		A2	H118903
14	1	Square key		A2	H335171
	1	DIN6885 - A - 3x3x10		A2	H344350
15	1	ATEX Actuator D4	18, 19, 20	1.4301	H347884
	2	O-ring 30 x 2.5		1.4301	H337885
16	2	ATEX Actuator screw D4		Iglidur X	H343859
	2	ATEX Actuator screw M4 x 8 washer M4 as set		1.4301	H336707
17	1	Venting plug G-1/8"		PE-Hard	H16507
	1	Spray connection DE3		PP	H168321
18	1	G-union 8x1-G1/8"		PVDF-black	H16388
	1	IECEX Cu ex ia D4 Adapter cpl.		PEHD 1000 - bl.	H343596
19	1	IECEX Cu ex ia 1M D4 24V		1.4301	H344227
	1	Prox. Switch holder D4 compl.		SAXAMID	H344380
20	1	Operating cam D4 bottom		1.4523 / 444FR	H334386
	1	Operating cam D4 top		1.4523 / 444FR	H334387
21	1	Hexagon screw M8 x 40		A2-70	H336675
	1	Yoke cover D4 - 62	29	1.4301	H341311
22	2	Safety nut D3		1.4301	H335172
	2	Lock washer D4		1.4301	H147640
23	2	Thrust ring		1.4057	H123151
	8	Hex. screw M8 x 16		A2	H78772
24	1	Yoke cover D4 - 62		1.4301	H341311
	4	Savatix head screw M4 x 8 washer M4 as set		1.4301	H336707
25	1	Venting plug G-1/8"		PE-Hard	H16507
	1	Spray connection DE3		PP	H168321
26	1	G-union 8x1-G1/8"		PVDF-black	H16388
	1	IECEX Cu ex ia D4 Adapter cpl.		PEHD 1000 - bl.	H343596
27	1	IECEX Cu ex ia 1M D4 24V		1.4301	H344227
	1	Prox. Switch holder D4 compl.		SAXAMID	H344380
28	1	Operating cam D4 bottom		1.4523 / 444FR	H334386
	1	Operating cam D4 top		1.4523 / 444FR	H334387
29	1	Hexagon screw M8 x 40		A2-70	H336675
	1	Yoke cover D4 - 62	29	1.4301	H341311

<b>Pos. 9, 10, 11, 12, 14 available as complete seal kits only</b>					
		Seal kit D4-Ø62		EPDM	H337884
		Seal kit D4-Ø62		HNBR	H337885
		Seal kit D4-Ø62		FPM	H337886

Information contained in this document is subject to change without notice and does not represent a commitment on the part of SPX FLOW, Inc.. No part of this document may be reproduced or transmitted in any form or by any means, electronic or mechanical, including photocopying and recording, for any purpose, without the express written permission of SPX FLOW, Inc..

**Spare parts list**

**Double seat mix proof valve D4 ex ia Zone 1 - DN 2,5"**

Date:	18.05.21				<b>SPX FLOW</b>			
Name:	C. Keil							
Reviewed:								
Date:					Page	6	of	12
Name:						<b>RN 500.047.04</b>		
Reviewed:								

pos. item	Quantity	Description, product contacted seals with reference number	included in spare parts (pos.)	Material	Part no.
1	1	Valve Housing D44-2,5"		1.4404	H335270
		Valve Housing D43-2,5"		1.4404	H337040
		Valve Housing D42-2,5"		1.4404	H337030
		Valve Housing D41/1-8-2,5"		1.4404	H337197
2	1	Valve Housing D41/1-7-2,5"		1.4404	H337177
	2	Valve Housing D41/1-6-2,5"		1.4404	H337187
3	1	Upper valve shaft	13, 16, 25	1.4404	H341256
4	1	Lower valve shaft		1.4404	H335391
5	1	Shaft bearing - 62 D4		1.4404	H334381
6	1	O-ring		1.4404	H77039
7	1	Yoke D4 - 62		1.4404	H334383
8	1	Guide Rod - 2,5"	8, 15, 16	1.4404	H341285
	2	Retainer ring		1.4301	H14883
9	1	Middle seal 58-33-998/93		EPDM	H327602
	1	Middle seal 58-33-998/33		HNBR	H332652
	2	Middle seal 58-33-132/93		FPM	H332653
10	2	Seat seal 58-33-132/33		HNBR	H168192
	2	Seat seal 58-33-132/73		FPM	H171561
11	2	Shaft seal 58-33-400/93		EPDM	H337476
	2	Shaft seal 58-33-400/33		HNBR	H337478
12	1	Guide ring		Iglidur A500	H334863
	1	Guide band		Acoflon	H334865
13	1	Quad ring 12.37x 2.62		EPDM	H311646
	2	Hex. Screw M10x1		A2	H118903
14	1	Square key DIN6885 - A - 3x3x10		A2	H335171
	1	ATEX Actuator D4	18, 19, 20	1.4301	H344351
15	2	O-ring 30 x 2.5		1.4301	H337897
16	2	ATEX Actuator screw D4		Iglidur X	H343859

pos. item	Quantity	Description, product contacted seals with reference number	included in spare parts (pos.)	Material	Part no.
20	2	V-seal		NBR	H334379
21	1	W-union G1/8" Ø6mm		hard nickel-pl.	H208825
22	1	Venting plug G-1/8"		PE-Hard	H16218
23	1	Stop screw		Grivory	H334382
24	2	Lock washer D4		1.4301	H335172
25	2	Safety nut D3		1.4301	H147640
26	2	Thrust ring		1.4057	H123151
27	8	Hex. screw M8 x 16		A2	H78772
28	1	Yoke cover D4 - 62	29	1.4301	H341311
29	4	Savefix head screw M4 x 8 washer M4 as set		1.4301	H336707
31	1	Venting plug G-1/8"		PE-Hard	H16507
32	1	Spray connection DE3		PP	H168321
33	1	G-union 8x1-G1/8"		PVDF-black	H16388
34	1	IECEX CU ex ia D4 Adapter cpl.		PEHD 1000 - bl.	H343596
35	1	IECEX Cu ex ia 1M D4 24V		1.4301	H344227
36	1	Prox. Switch holder D4 cpl.		SAXAMID	H344380
37	1	Operating cam D4 bottom		1.4523 / 444FR	H334386
38	1	Operating cam D4 top		1.4523 / 444FR	H334387
39	1	Hexagon screw M8 x 40		A2-70	H336675

**Pos. 9, 10, 11, 12, 14 available as complete seal kits only**

		Seal kit D4-Ø62		EPDM	H337884
		Seal kit D4-Ø62		HNBR	H337885
		Seal kit D4-Ø62		FPM	H337886



Information contained in this document is subject to change without notice and does not represent a commitment on the part of SPX FLOW, Inc.. No part of this document may be reproduced or transmitted in any form or by any means, electronic or mechanical, including photocopying and recording, for any purpose, without the express written permission of SPX FLOW, Inc..

Spare parts list

**Double seat mix proof valve D4 ex ia Zone 1 - 65**

Date:	18.05.21
Name:	C.Keil
Reviewed:	
Date:	
Name:	
Reviewed:	

pos. item	Quantity	Description, product contacted seals with reference number	included in spare parts (pos.)	Material	Part no.
1	1	Valve Housing D44-65		1.4404	H334443
		Valve Housing D43-65		1.4404	H337035
		Valve Housing D42-65		1.4404	H337025
		Valve Housing D41/1-8-65		1.4404	H337192
		Valve Housing D41/1-7-65		1.4404	H337172
2	Valve Housing D41/1-6-65		1.4404	H337182	
3	Upper valve shaft	13, 16, 25	1.4404	H341255	
4	Lower valve shaft		1.4404	H334446	
5	Shaft bearing - 62 D4		1.4404	H334381	
6	O-ring		1.4404	H77039	
7	Yoke D4 - 62		1.4404	H334383	
8	Guide Rod - 65	8, 15, 16	1.4404	H341284	
9	2	Retainer ring		1.4301	H14883
	1	Middle seal 58-33-998/93		EPDM	H327602
	1	Middle seal 58-33-998/33		HNBR	H332652
10	2	Middle seal 58-33-998/73		FPM	H332653
	2	Seat seal 58-33-132/93		EPDM	H168192
	2	Seat seal 58-33-132/33		HNBR	H171561
11	2	Seat seal 58-33-132/73		FPM	H171559
	2	Shaft seal 58-33-400/93		EPDM	H337476
	2	Shaft seal 58-33-400/33		HNBR	H337478
12	2	Shaft seal 58-33-400/73		FPM	H337477
	1	Guide ring		Iglidur A500	H334863
	1	Guide band		Acoflon	H334865
13	1	Quad ring 12.37x 2.62		EPDM	H311646
	2	Hex. Screw M10x1		A2	H118903
	1	Square key DIN6885 - A - 3x3x10		A2	H335171
14	ATEX Actuator D4	18, 19, 20	1.4301	H344351	
15	O-ring 30 x 2.5		1.4301	H337897	
16	ATEX Actuator screw D4		Iglidur X	H343859	

pos. item	Quantity	Description, product contacted seals with reference number	included in spare parts (pos.)	Material	Part no.
20	2	V-seal		NBR	H334379
21	1	W-union G1/8" Ø6mm		hard nickel-pl.	H208825
22	1	Venting plug G-1/8"		PE-Hard	H16218
23	1	Stop screw		Grivory	H334382
24	2	Lock washer D4		1.4301	H335172
25	2	Safety nut D3		1.4301	H147640
26	2	Thrust ring		1.4057	H123151
27	8	Hex. screw M8 x 16		A2	H78772
28	1	Yoke cover D4 - 62	29	1.4301	H341311
29	4	Savetix head screw M4 x 8 washer M4 as set		1.4301	H336707
31	1	Venting plug G-1/8"		PE-Hard	H16507
32	1	Spray connection DE3		PP	H168321
33	1	G-union 8x1-G1/8"		PVDF-black	H16388
34	1	IECEX CU ex ia D4 Adapter cpl.		PEHD 1000 - bl.	H343596
35	1	IECEX Cu ex ia 1M D4 24V		1.4301	H344227
36	1	Prox. Switch holder D4 compl.		SAXAMID	H344380
37	1	Operating cam D4 bottom		1.4523 / 444FR	H334386
38	1	Operating cam D4 top		1.4523 / 444FR	H334387
39	1	Hexagon screw M8 x 40		A2-70	H336675

**Pos. 9, 10, 11, 12, 14 available as complete seal kits only**

		Seal kit D4-Ø62		EPDM	H337884
		Seal kit D4-Ø62		HNBR	H337885
		Seal kit D4-Ø62		FPM	H337886

Information contained in this document is subject to change without notice and does not represent a commitment on the part of SPX FLOW, Inc.. No part of this document may be reproduced or transmitted in any form or by any means, electronic or mechanical, including photocopying and recording, for any purpose, without the express written permission of SPX FLOW, Inc..

Spare parts list

**Double seat mix proof valve D4 ex ia Zone 1 - 3"**

Date:	18.05.21
Name:	C.Keil
Reviewed:	
Date:	
Name:	
Reviewed:	
Page 8 of 12	
<b>RN 500.047.04</b>	

**SPX FLOW**

pos. item	Quantity	Description, product contacted seals with reference number	included in spare parts (pos.)	Material	Part no.
1	1	Valve Housing D44-3"		1.4404	H336275
		Valve Housing D43-3"		1.4404	H337041
		Valve Housing D42-3"		1.4404	H337031
		Valve Housing D41/1-8-3"		1.4404	H337198
		Valve Housing D41/1-6-3"		1.4404	H337178
2	1	Upper valve shaft	13, 16, 25	1.4404	H337188
	1	Lower valve shaft		1.4404	H341258
3	1	Shaft bearing - 62 D4		1.4404	H335392
4	1	O-ring		1.4404	H334381
5	1	Yoke D4 - 62		1.4404	H77039
6	1	Guide Rod - 3"	8, 15, 16	1.4404	H334383
7	1	Retainer ring		1.4404	H341287
	2	Middle seal		1.4301	H14883
8	1	Middle seal		EPDM	H327602
	1	Middle seal		HNBR	H332652
	1	Middle seal		FPM	H332653
9	2	Seat seal		EPDM	H168192
	2	Seat seal		HNBR	H171561
10	2	Seat seal		FPM	H171559
	2	Shaft seal		EPDM	H337476
11	2	Shaft seal		HNBR	H337478
	2	Shaft seal		FPM	H337477
	1	Guide ring		Iglidur A500	H334863
12	1	Guide band		Acoflon	H334865
	1	Quad ring 12.37x 2.62		EPDM	H311646
13	2	Hex. Screw M10x1		A2	H118903
	1	Square key DIN6885 - A - 3x3x10		A2	H335171
14	1	ATEX Actuator D4	18, 19, 20	1.4301	H344351
15	2	O-ring 30 x 2.5		1.4301	H337897
16	2	ATEX Actuator screw D4		Iglidur X	H343859

pos. item	Quantity	Description, product contacted seals with reference number	included in spare parts (pos.)	Material	Part no.
20	2	V-seal		NBR	H334379
21	1	W-union G1/8" Ø6mm		hard nickel-pl.	H208825
22	1	Venting plug G-1/8"		PE-Hard	H16218
23	1	Stop screw		Grivory	H334382
24	2	Lock washer D4		1.4301	H335172
25	2	Safety nut D3		1.4301	H147640
26	2	Thrust ring		1.4057	H123151
27	8	Hex. screw M8 x 16		A2	H78772
28	1	Yoke cover D4 - 62	29	1.4301	H341311
29	4	Savetix head screw M4 x 8 washer M4 as set		1.4301	H336707
31	1	Venting plug G-1/8"		PE-Hard	H16507
32	1	Spray connection DE3 - 62		PP	H168321
33	1	G-union 8x1-G1/8"		PVDF-black	H16388
34	1	IECEX Cu ex ia D4 Adapter cpl.		PEHD 1000 - bl.	H343596
35	1	IECEX Cu ex ia 1M D4 24V		1.4301	H344227
36	1	Prox. Switch holder D4 compl.		SAXAMID	H344380
37	1	Operating cam D4 bottom		1.4523 / 444FR	H334386
38	1	Operating cam D4 top		1.4523 / 444FR	H334387
39	1	Hexagon screw M8 x 40		A2-70	H336675

**Pos. 9, 10, 11, 12, 14 available as complete seal kits only**

Seal kit D4-Ø62	EPDM	H337884
Seal kit D4-Ø62	HNBR	H337885
Seal kit D4-Ø62	FPM	H337886

Information contained in this document is subject to change without notice and does not represent a commitment on the part of SPX FLOW, Inc.. No part of this document may be reproduced or transmitted in any form or by any means, electronic or mechanical, including photocopying and recording, for any purpose, without the express written permission of SPX FLOW, Inc..

**Spare parts list**

**Double seat mix proof valve D4 ex ia Zone 1 - DN80**

Date:	18.05.21
Name:	C.Keil
Reviewed:	
Date:	
Name:	
Reviewed:	
Page 9 of 12	
<b>RN 500.047.04</b>	

**SPX FLOW**

pos. item	Quantity	Description, product contacted seals with reference number	included in spare parts (pos.)	Material	Part no.
1	1	Valve Housing D44-80		1.4404	H335278
		Valve Housing D43-80		1.4404	H337036
		Valve Housing D42-80		1.4404	H337026
		Valve Housing D41/1-8-80		1.4404	H337193
		Valve Housing D41/1-7-80		1.4404	H337173
2	1	Upper valve shaft	13, 16, 25	1.4404	H337183
	1	Lower valve shaft		1.4404	H341257
3	1	Lower valve shaft		1.4404	H335393
	1	Shaft bearing - 92 D4		1.4404	H335713
5	1	O-ring		1.4404	H77061
	1	Yoke D4 - 92		1.4404	H335994
7	1	Guide Rod - 80	8, 15, 16	1.4404	H341286
	2	Retainer ring		1.4301	H14883
9	1	Middle seal 58-33-997/93		EPDM	H327985
	1	Middle seal 58-33-997/33		HNBR	H332649
	1	Middle seal 58-33-997/33		FPM	H332648
10	2	Seat seal 58-33-133/93		EPDM	H168153
	2	Seat seal 58-33-133/33		HNBR	H171565
	2	Seat seal 58-33-133/73		FPM	H171563
11	2	Shaft seal 58-33-405/93		EPDM	H337668
	2	Shaft seal 58-33-405/33		HNBR	H337670
	2	Shaft seal 58-33-405/73		FPM	H337669
12	1	Guide ring		Iglidur A500	H337669
	1	Guide band		Acoflon	H334865
14	1	Quad ring 12.37x 2.62		EPDM	H311646
	2	Hex. Screw M10x1		A2	H118903
16	1	Square key DIN6885 - A - 3x3x10		A2	H335171
	1	ATEX Actuator D4	18, 19, 20	1.4301	H344356
18	2	O-ring 30 x 2.5		1.4301	H337897
	2	ATEX Actuator screw D4		Iglidur X	H343859
20	2	V-seal		NBR	H334379
	1	W-union G1/8" Ø6mm		hard nickel-pl.	H208825
22	1	Venting plug G-1/8"		PE-Hard	H16218
	1	Stop screw		Grivory	H334382
	2	Lock washer D4		1.4301	H335172
25	2	Safety nut D3		1.4301	H147640
	2	Thrust ring		1.4057	H123151
27	8	Hex. screw M8 x 16		A2	H78772
	1	Yoke cover D4 - 92	29	1.4301	H341312
29	4	Savetix head screw M4 x 8 washer M4 as set		1.4301	H336707
	1	Venting plug G-1/8"		PE-Hard	H16507
32	1	Spray connection DE3 - 92		PP	H168322
	1	G-union 8x1-G1/8"		PVDF-black	H16388
34	1	IECEX CU ex ia D4 Adapter cpl.		PEHD 1000 - bl.	H343596
	1	IECEX Cu ex ia 1M D4 24V		1.4301	H344227
36	1	Prox. Switch holder D4 compl.		SAXAMID	H344380
	1	Operating cam D4 bottom		1.4523 / 444FR	H334386
38	1	Operating cam D4 top		1.4523 / 444FR	H334387
	1	Hexagon screw M8 x 40		A2-70	H336675

<b>Pos. 9, 10, 11, 12, 14 available as complete seal kits only</b>					
		Seal kit D4-Ø92		EPDM	H337887
		Seal kit D4-Ø92		HNBR	H337888
		Seal kit D4-Ø92		FPM	H337889

Information contained in this document is subject to change without notice and does not represent a commitment on the part of SPX FLOW, Inc.. No part of this document may be reproduced or transmitted in any form or by any means, electronic or mechanical, including photocopying and recording, for any purpose, without the express written permission of SPX FLOW, Inc..

Spare parts list

**Double seat mix proof valve D4 ex ia Zone 1 - DN100**

Date:	18.05.21
Name:	C.Keil
Reviewed:	
Date:	
Name:	
Reviewed:	
Page	10 of 12
<b>RN 500.047.04</b>	

SPX FLOW				
pos. item	Description, product contacted seals with reference number	included in spare parts (pos.)	Material	Part no.
Quantity	Description, product contacted seals with reference number	included in spare parts (pos.)	Material	Part no.
1	1 Valve Housing D44-100		1.4404	H336279
	1 Valve Housing D43-100		1.4404	H337037
	1 Valve Housing D42-100		1.4404	H337027
	1 Valve Housing D41/1-8-100		1.4404	H337194
	1 Valve Housing D41/1-7-100		1.4404	H337174
	1 Valve Housing D41/1-6-100		1.4404	H337184
2	1 Upper valve shaft	13, 16, 25	1.4404	H341259
3	1 Lower valve shaft		1.4404	H335394
4	1 Shaft bearing - 92 D4		1.4404	H335713
5	1 O-ring		1.4404	H77039
6	1 Yoke D4 - 92		1.4404	H335994
7	1 Guide Rod - 100/4"	8, 15, 16	1.4404	H341288
8	2 Retainer ring		1.4301	H14883
	1 Middle seal 58-33-997/93		EPDM	H327985
9	1 Middle seal 58-33-997/33		HNBR	H332649
	1 Middle seal 58-33-997/73		FPM	H332648
	2 Seat seal 58-33-133/93		EPDM	H168153
10	2 Seat seal 58-33-133/33		HNBR	H171565
	2 Seat seal 58-33-133/73		FPM	H171563
	2 Shaft seal 58-33-405/93		EPDM	H337668
11	2 Shaft seal 58-33-405/33		HNBR	H337670
	2 Shaft seal 58-33-405/73		FPM	H337669
12	1 Guide ring		Iglidur A500	H337669
13	1 Guide band		Acoflon	H334865
14	1 Quad ring 12.37x 2.62		EPDM	H311646
15	2 Hex. Screw M10x1		A2	H118903
16	1 Square key DIN6885 - A - 3x3x10		A2	H335171
17	1 ATEX Actuator D4	18, 19, 20	1.4301	H344356
18	2 O-ring 30 x 2.5		1.4301	H337897
19	2 ATEX Actuator screw D4		Iglidur X	H343859
20	2 V-seal		NBR	H334379
21	1 W-union G1/8" Ø6mm		hard nickel-pl.	H208825
22	1 Venting plug G-1/8"		PE-Hard	H16218
23	1 Stop screw		Grivory	H334382
24	2 Lock washer D4		1.4301	H335172
25	2 Safety nut D3		1.4301	H147640
26	2 Thrust ring		1.4057	H123151
27	8 Hex. screw M8 x 16		A2	H78772
28	1 Yoke cover D4 - 92	29	1.4301	H341312
29	4 Savefix head screw M4 x 8 washer M4 as set		1.4301	H336707
31	1 Venting plug G-1/8"		PE-Hard	H16507
32	1 Spray connection DE3 - 92		PP	H168322
33	1 G-union 8x1-G1/8"		PVDF-black	H16388
34	1 IECEXX Cu ex ia D4 Adapter cpl.		PEHD 1000 - bl.	H343596
35	1 IECEXX Cu ex ia 1M D4 24V		1.4301	H344227
36	1 Prox. Switch holder D4 compl.		SAXAMID	H344380
37	1 Operating cam D4 bottom		1.4523 / 444FR	H334386
38	1 Operating cam D4 top		1.4523 / 444FR	H334387
39	1 Hexagon screw M8 x 40		A2-70	H336675
<b>Pos. 9, 10, 11, 12, 14 available as complete seal kits only</b>				
	Seal kit D4-Ø92		EPDM	H337887
	Seal kit D4-Ø92		HNBR	H337888
	Seal kit D4-Ø92		FPM	H337889





Information contained in this document is subject to change without notice and does not represent a commitment on the part of SPX FLOW, Inc.. No part of this document may be reproduced or transmitted in any form or by any means, electronic or mechanical, including photocopying and recording, for any purpose, without the express written permission of SPX FLOW, Inc..

Spare Parts list

# Double seat mix proof valve D4 ex ia Zone 1 DN 125 - 150 , 6"

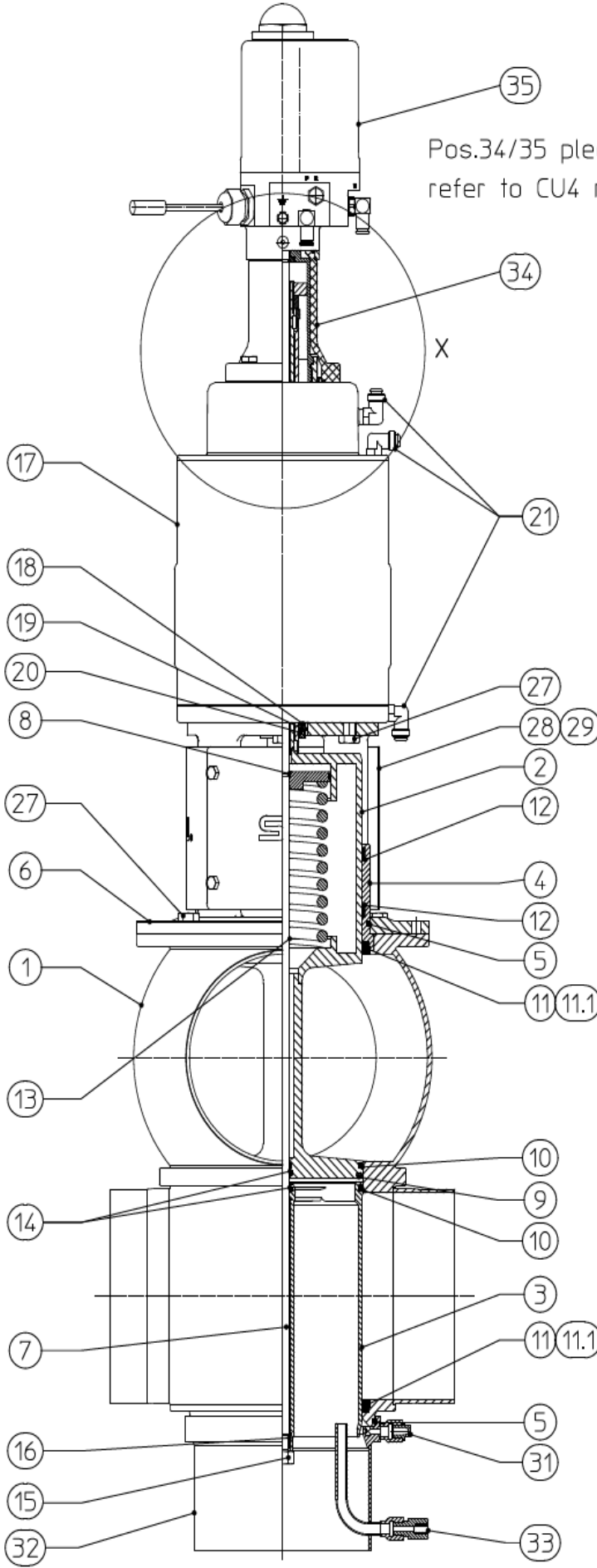
SPX FLOW

Page 1 of 5

RN 500.047.05

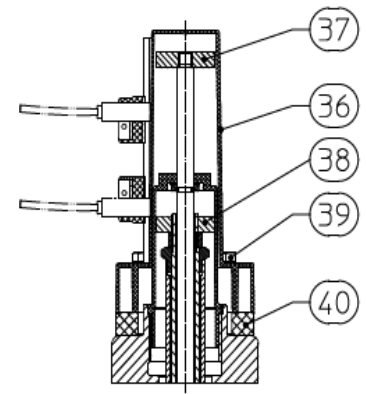
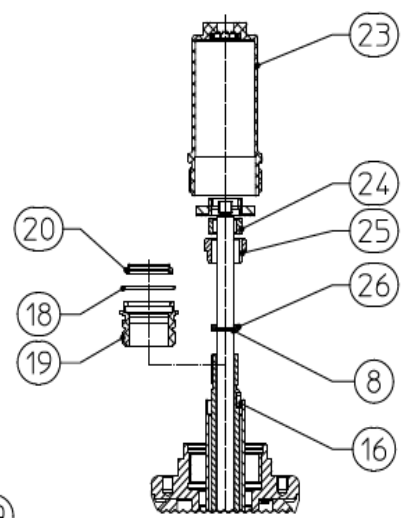
Date: 22.06.21  
Name: C.Keil  
Reviewed:

Date:  
Name:  
Reviewed:



Pos.34/35 please refer to CU4 manual

Detail X



Information contained in this document is subject to change without notice and does not represent a commitment on the part of SPX FLOW, Inc.. No part of this document may be reproduced or transmitted in any form or by any means, electronic or mechanical, including photocopying and recording, for any purpose, without the express written permission of SPX FLOW, Inc..

Spare parts list

## Double seat mix proof valve D4 ex ia Zone 1 - 125

Date:	22.06.21				
Name:	C.Kell				
Reviewed:					
Date:				Page	2 of 5
Name:				<b>RN 500.047.05</b>	
Reviewed:					

SPX FLOW

pos.	Quantity	Description, product contacted seals with reference number	included in spare parts (pos.)	Material	Part no.
item	pos. item	product contacted seals with reference number	included in spare parts (pos.)	Material	Part no.
1	1	Valve Housing D44-125		1.4404	H340119
		Valve Housing D43-125		1.4404	H340120
		Valve Housing D42-125		1.4404	H340121
		Valve Housing D41/1-8 -125		1.4404	H340124
		Valve Housing D41/1-7-125		1.4404	H340123
		Valve Housing D41/1-6-125		1.4404	H340122
2	1	Upper valve shaft	13, 16, 25	1.4404	H341269
3	1	Lower valve shaft		1.4404	H340230
4	1	Shaft bearing - 114 D4		1.4404	H340243
5	1	O-ring		1.4404	H77074
6	1	Yoke D4 - 114		1.4404	H340244
7	1	Guide Rod - 125	8, 15, 16	1.4404	H341298
8	2	Retainer ring		1.4301	H14883
9	1	Middle seal 58-33-996/03		EPDM	H340247
		Middle seal 58-33-996/33		HNBR	H340248
		Middle seal 58-33-996/73		FPM	H340294
10	2	Seat seal 58-33-135/03		EPDM	H173940
		Seat seal 58-33-135/33		HNBR	H173939
		Seat seal 58-33-135/73		FPM	H340246
11	2	Shaft seal 58-33-693/03		EPDM	H77611
		Shaft seal 58-33-693/33		HNBR	H170178
		Shaft seal 58-33-693/73		FPM	H77610
11.1	2	PTFE Shaft seal		PTFE	H340295
12	1	Guide ring		Iglidur A500	H340198
13	1	Guide band		Acoflon	H334865
14	1	Quad ring 12,37x 2,62		EPDM	H311646
15	2	Hex. Screw M10x1		A2	H118903
16	1	Square key DIN6885 - A - 3x3x10		A2	H335171
17	1	ATEX Actuator D4	18, 19, 20	1.4301	H344359
18	2	O-ring 30 x 2,5		1.4301	H337897

Pos. 9, 10, 11, 12, 14 available as complete seal kits only

		Seal kit D4-Ø114		EPDM	H340575
		Seal kit D4-Ø114		HNBR	H340579
		Seal kit D4-Ø114		FPM	H340580



Information contained in this document is subject to change without notice and does not represent a commitment on the part of SPX FLOW, Inc.. No part of this document may be reproduced or transmitted in any form or by any means, electronic or mechanical, including photocopying and recording, for any purpose, without the express written permission of SPX FLOW, Inc..

**Spare parts list**

**Double seat mix proof valve D4 ex ia Zone 1 - DN150**

Date:	22.06.21					
Name:	C.Kell					
Reviewed:						
Date:						
Name:						
Reviewed:						
						Page 3 of 5
						<b>RN 500.047.05</b>

**SPX FLOW**

pos. item	Quantity	Description, product contacted seals with reference number	included in spare parts (pos.)	Material	Part no.	pos. item	Quantity	Description, product contacted seals with reference number	included in spare parts (pos.)	Material	Part no.
1	1	Valve Housing D44-150		1.4404	H340132	19	2	ATEX Actuator screw D4		Iglidur X	H343859
		Valve Housing D43-150		1.4404	H340133	20	2	V-seal		NBR	H334379
		Valve Housing D42-150		1.4404	H340134	21	3	W-union G1/8" Ø6mm		hard nickel-pl.	H208825
		Valve Housing D41/1-8-150		1.4404	H340137	22	2	Venting plug G-1/8"		PE-Hard	H16218
		Valve Housing D41/1-7-150		1.4404	H340136	23	1	Stop screw		Grivory	H334382
2	1	Upper valve shaft	13, 16, 25	1.4404	H340135	24	2	Safety nut D3		1.4301	H147640
	1	Lower valve shaft		1.4404	H341270	25	2	Lock washer D4		1.4301	H335172
3	1	Shaft bearing - 138 D4		1.4404	H340311	26	2	Thrust ring		1.4057	H123151
4	1	O-ring		1.4404	H340322	27	8	Hex. screw M8 x 16		A2	H78772
5	1	Yoke D4 - 138		1.4404	H77081	28	1	Yoke cover D4 - 138	29	1.4301	H341314
6	1	Guide Rod - 150 / 6"	8, 15, 16	1.4404	H340323	29	4	Savetix head screw M4 x 8 washer M4 as set		1.4301	H336707
8	2	Retainer ring		1.4301	H14883	31	1	Venting plug G-1/8"		PE-Hard	H16507
	1	Middle seal 58-33-995/93		EPDM	H340325	32	1	Spray connection D4 - 138		1.4301	H344394
9	1	Middle seal 58-33-995/33		HNBR	H340326	33	1	G-union 8x1-G1/8"		PVDF-black	H16388
	1	Middle seal 58-33-995/73		FPM	H340327	34	1	IECEX CU ex ia D4 Adapter cpl.		PEHD 1000 - bl.	H343596
10	2	Seat seal 58-33-134/93		EPDM	H173739	35	1	IECEX CU ex ia 1M D4 24V		1.4301	H344227
	2	Seat seal 58-33-134/33		HNBR	H173738	36	1	Prox. Switch holder D4 compl.		SAXAMID	H344380
11	2	Seat seal 58-33-134/73		FPM	H338070	37	1	Operating cam D4 bottom		1.4523 / 444FR	H334386
	2	Shaft seal 58-33-743/93		EPDM	H77628	38	1	Operating cam D4 top		1.4523 / 444FR	H334387
11.1	2	Shaft seal 58-33-743/33		HNBR	H170177	39	1	Hexagon screw M8 x 40		A2-70	H340751
	2	Shaft seal 58-33-743/73		FPM	H77627	40	1	Spacer D4-138		PA6.6 GF30 bla.	H340179
12	1	PTFE Shaft seal		PTFE	H340328						
13	1	Guide ring		Iglidur A500	H340182						
14	1	Guide band		Acoflon	H334865						
15	2	Quad ring 12,37x 2,62		EPDM	H311646						
15	2	Hex. Screw M10x1		A2	H118903						
16	1	Square key DIN6885 - A - 3x3x10		A2	H335171						
17	1	ATEX Actuator D4	18, 19, 20	1.4301	H344358						
18	2	O-ring 30 x 2,5		1.4301	H337897						

**Pos. 9, 10, 11, 12, 14 available as complete seal kits only**

		Seal kit D4-Ø138		EPDM	H340578
		Seal kit D4-Ø138		HNBR	H340579
		Seal kit D4-Ø138		FPM	H340580

Information contained in this document is subject to change without notice and does not represent a commitment on the part of SPX FLOW, Inc.. No part of this document may be reproduced or transmitted in any form or by any means, electronic or mechanical, including photocopying and recording, for any purpose, without the express written permission of SPX FLOW, Inc..

Spare parts list

Double seat mix proof valve D4 ex ia Zone 1 - 6"

Date:	22.06.21
Name:	C.Kell
Reviewed:	
Date:	
Name:	
Reviewed:	
Page 4 of 5	
RN 500.047.05	

		SPX FLOW			
pos. item	Quantity	Description, product contacted seals with reference number	included in spare parts (pos.)	Material	Part no.
<b>1</b>					
19	2	ATEX Actuator screw D4		Iglidur X	H343859
20	2	V-seal		NBR	H334379
21	3	W-union G1/8" Ø6mm		hard nickel-pl.	H208825
22	2	Venting plug G-1/8"		PE-Hard	H16218
23	1	Stop screw		Grivory	H334382
24	2	Safety nut D3		1.4301	H147640
25	2	Lock washer D4		1.4301	H335172
26	2	Thrust ring		1.4057	H123151
27	8	Hex. screw M8 x 16		A2	H78772
28	1	Yoke cover D4 - 138	29	1.4301	H341314
29	4	Savetix head screw M4 x 8 washer M4 as set		1.4301	H336707
31	1	Venting plug G-1/8"		PE-Hard	H16507
32	1	Spray connection D4 - 138		1.4301	H344394
33	1	G-union 8x1-G1/8"		PVDF-black	H16388
34	1	IECEX CU ex ia D4 Adapter cpl.		PEHD 1000 - bl.	H343596
35	1	IECEX Cu ex ia 1M D4 24V		1.4301	H344227
36	1	Prox. Switch holder D4 compl.		SAXAMID	H344380
37	1	Operating cam D4 bottom		1.4523 / 444FR	H334386
38	1	Operating cam D4 top		1.4523 / 444FR	H334387
39	1	Hexagon screw M8 x 40		A2-70	H340751
40	1	Spacer D4-138		PA6.6 GF30 bla.	H340179

pos. item	Quantity	Description, product contacted seals with reference number	included in spare parts (pos.)	Material	Part no.
11	2	Shaft seal		EPDM	H77628
11	2	Shaft seal		HNBR	H170177
11.1	2	PTFE Shaft seal		FPM	H77627
12	1	Guide ring		PTFE	H340328
13	1	Guide band		Iglidur A500	H340182
14	1	Quad ring 12,37x 2,62		Acoflon	H334865
15	2	Hex. Screw M10x1		EPDM	H311646
16	1	Square key DIN6885 - A - 3x3x10		A2	H118903
17	1	ATEX Actuator D4	18, 19, 20	A2	H335171
18	2	O-ring 30 x 2,5		1.4301	H344358
				1.4301	H337897

Pos. 9, 10, 11, 12, 14 available as complete seal kits only

Seal kit D4-Ø138	EPDM	H340578
Seal kit D4-Ø138	HNBR	H340579
Seal kit D4-Ø138	FPM	H340580

Information contained in this document is subject to change without notice and does not represent a commitment on the part of SPX FLOW, Inc.. No part of this document may be reproduced or transmitted in any form or by any means, electronic or mechanical, including photocopying and recording, for any purpose, without the express written permission of SPX FLOW, Inc..

Spare parts list

## Double seat mix proof valve D4 ex ia Zone 1 - Adapters / Control Units

Date:	22.06.21		
Name:	C.Keil		
Reviewed:			
Date:		Page	5 of 5
Name:			
Reviewed:			<b>RN 500.047.05</b>

pos. item	Quantity	Description, product contacted seals with reference number	air connections	Material	Part no.		

34	1	IECEX CU ex ia D4 adapter compl.	/	PEHD 1000	H343596
<b>IEC EX ia adapter Zone 1</b>					
35	1	IECEX CU ex ia 1M D4 24V	6 mm	1.4301	H344227
<b>IEC EX ia Control Unit Zone 1</b>					

--	--	--	--	--	--

--	--	--	--	--	--



Information contained in this document is subject to change without notice and does not represent a commitment on the part of SPX FLOW, Inc.. No part of this document may be reproduced or transmitted in any form or by any means, electronic or mechanical, including photocopying and recording, for any purpose, without the express written permission of SPX FLOW, Inc..

Spare Parts list

# Double seat mix proof valve D4 SL ex ia Zone 1 DN40 - 100 , 1,5" - 4"

SPX FLOW

Page 1 of 12

RN 501.047.05

Date: 18.05.21

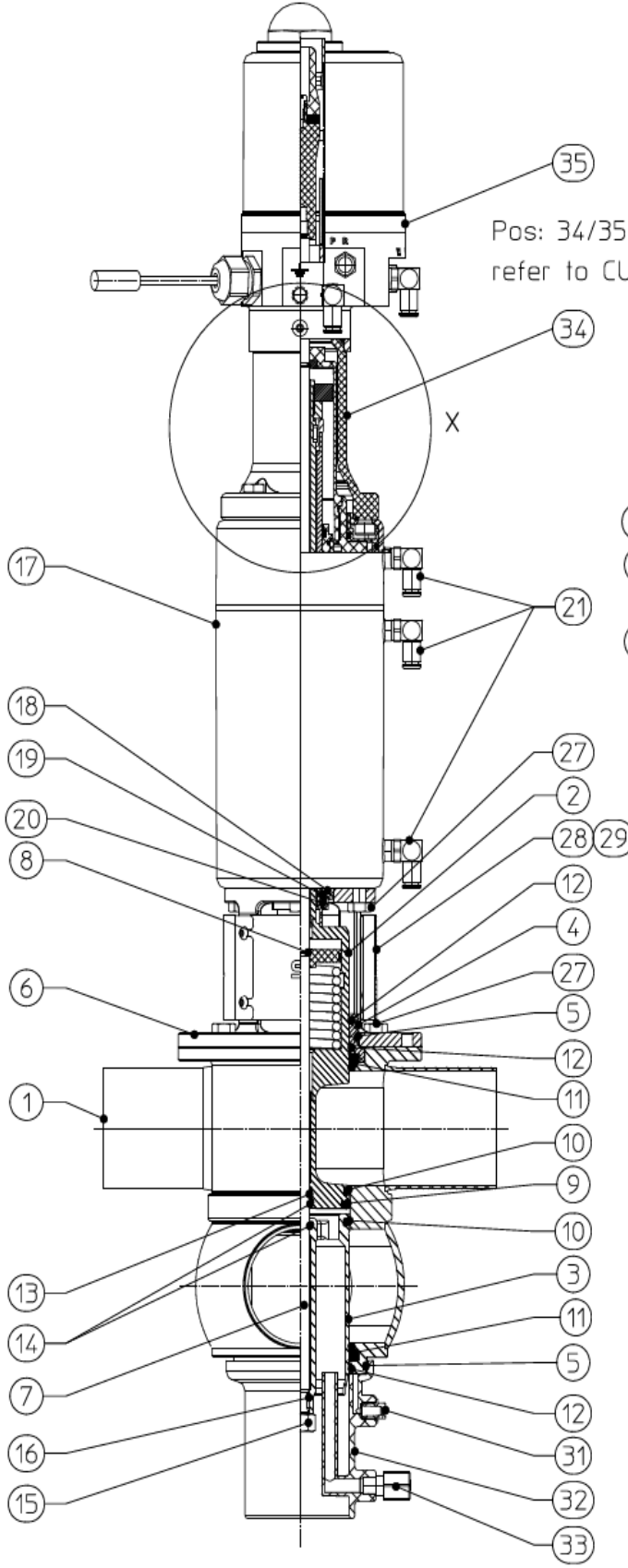
Name: C.Keil

Reviewed:

Date:

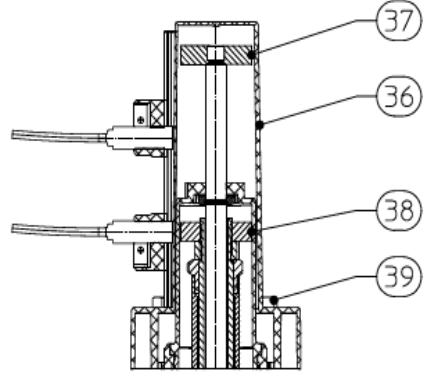
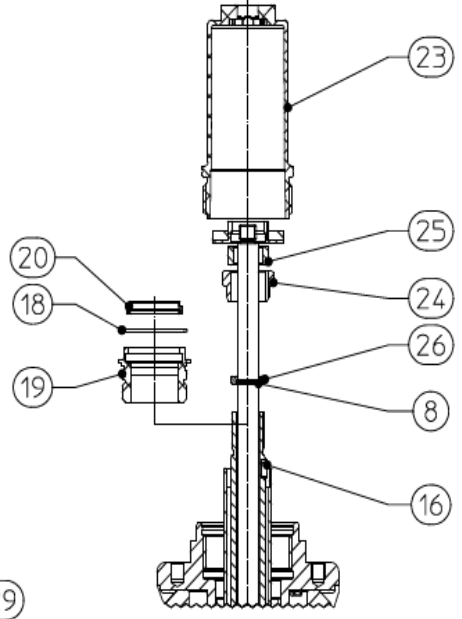
Name:

Reviewed:



Pos: 34/35 please refer to CU4 manual

Detail X



Information contained in this document is subject to change without notice and does not represent a commitment on the part of SPX FLOW, Inc.. No part of this document may be reproduced or transmitted in any form or by any means, electronic or mechanical, including photocopying and recording, for any purpose, without the express written permission of SPX FLOW, Inc..

**Spare parts list**

**Double seat mix proof valve D4 SL ex ia Zone 1 - 1,5"**

Date:	18.05.21	SPX FLOW	
Name:	C.Kell		
Reviewed:			
Date:		Page	2 of 12
Name:		RN 501.047.05	
Reviewed:			

pos. item	Quantity	Description, product contacted seals with reference number	included in spare parts (pos.)	Material	Part no.	Quantity	Description, product contacted seals with reference number	included in spare parts (pos.)	Material	Part no.
1	1	Valve Housing D44-1,5"		1.4404	H336272	20	V-seal		NBR	H334379
		Valve Housing D43-1,5"		1.4404	H337038	21	W-union G1/8" Ø6mm		hard nickel-pl.	H208825
		Valve Housing D42-1,5"		1.4404	H337028					
		Valve Housing D41/1-8-1,5"		1.4404	H337195	23	Stop screw		Grivory	H334382
2	1	Valve Housing D41/1-7-1,5"		1.4404	H337175	24	Lock washer D4		1.4301	H335172
		Valve Housing D41/1-6-1,5"		1.4404	H337185	25	Safety nut D3		1.4301	H147640
		Upper valve shaft	13, 16, 25	1.4404	H341262	26	Thrust ring		1.4057	H123151
3	1	Lower valve shaft		1.4404	H334986	27	Hex. screw M8 x 16		A2	H78772
4	1	Shaft bearing - 62 D4		1.4404	H334381	28	Yoke cover D4 - 62	29	1.4301	H341311
5	1	O-ring		1.4404	H77039	29	Saveitix head screw M4 x 8 washer M4 as set		1.4301	H336707
6	1	Yoke D4 - 62		1.4404	H334383	31	Venting plug G-1/8"		PE-Hard	H16507
7	1	Guide Rod - 40/1,5"	8, 15, 16	1.4404	H341291	32	Spray connection DE3		PP	H168321
8	2	Retainer ring		1.4301	H14883	33	G-union 8x1-G1/8"		PVDF-black	H16388
9	1	Middle seal 58-33-998/93		EPDM	H327602	34	IECEX CU ex ia D4 Adapter cpl.		PEHD 1000 - bl.	H343596
		Middle seal 58-33-998/33		HNBR	H332652	35	IECEX Cu ex ia 3M D4 24V		1.4301	H344051
		Middle seal 58-33-998/73		FPM	H332653	36	Prox. Switch holder D4 compl.		SAXAMID	H344380
10	2	Seat seal 58-33-132/93		EPDM	H168192	37	Operating cam D4 bottom		1.4523 / 444FR	H334386
		Seat seal 58-33-132/33		HNBR	H171561	38	Operating cam D4 top		1.4523 / 444FR	H334387
11	2	Seat seal 58-33-132/73		FPM	H171559	39	Hexagon screw M8 x 40		A2-70	H336675
	2	Shaft seal 58-33-400/93		EPDM	H337476					
	2	Shaft seal 58-33-400/33		HNBR	H337478					
	2	Shaft seal 58-33-400/73		FPM	H337477					
	2	Shaft seal 58-33-400/73		Iglidur A500	H334863					
12	1	Guide ring		Acoflon	H334865					
13	1	Guide band		EPDM	H311646					
14	1	Quad ring 12.37x 2.62		A2	H118903					
15	2	Hex. Screw M10x1		A2	H118903					
16	1	Square key DIN6885 - A - 3x3x10		A2	H335171					
17	1	ATEX Actuator D4 SL	18, 19, 20	1.4301	H344352				EPDM	H337884
18	2	O-ring 30 x 2.5		1.4301	H337897				HNBR	H337885
19	2	ATEX Actuator screw D4		Iglidur X	H343859				FPM	H337886
<p style="text-align: center;"><b>Pos. 9, 10, 11, 12, 14 available as complete seal kits only</b></p>										

Information contained in this document is subject to change without notice and does not represent a commitment on the part of SPX FLOW, Inc.. No part of this document may be reproduced or transmitted in any form or by any means, electronic or mechanical, including photocopying and recording, for any purpose, without the express written permission of SPX FLOW, Inc..

Spare parts list

Double seat mix proof valve D4 SL ex ia Zone 1 - DN40

Date: 18.05.21  
 Name: C.Kell  
 Reviewed:  
 Date: \_\_\_\_\_  
 Name: \_\_\_\_\_  
 Reviewed: \_\_\_\_\_

Page 3 of 12  
**RN 501.047.05**

SPX FLOW

pos.	Quantity	Description, product contacted seals with reference number	included in spare parts (pos.)	Material	Part no.
pos. item	Quantity item	Description, product contacted seals with reference number	included in spare parts (pos.)	Material	Part no.
1	1	Valve Housing D44-40		1.4404	H335273
		Valve Housing D43-40		1.4404	H337033
		Valve Housing D42-40		1.4404	H337023
		Valve Housing D41/1-8-40		1.4404	H337190
		Valve Housing D41/1-7-40		1.4404	H337170
2	1	Upper valve shaft	13, 16, 25	1.4404	H337180
	1	Lower valve shaft		1.4404	H341262
3	1	Shaft bearing - 62 D4		1.4404	H334986
		O-ring		1.4404	H334381
		Yoke D4 - 62		1.4404	H77039
4	1	Guide Rod - 40/1,5"	8, 15, 16	1.4404	H334383
	2	Retainer ring		1.4301	H341291
5	1	Middle seal 58-33-998/93		EPDM	H14883
	1	Middle seal 58-33-998/33		HNBR	H327602
	2	Middle seal 58-33-132/93		FPM	H32652
6	2	Seat seal 58-33-132/93		EPDM	H332653
	2	Seat seal 58-33-132/33		HNBR	H168192
7	2	Seat seal 58-33-132/73		FPM	H171561
	2	Shaft seal 58-33-400/93		EPDM	H171559
8	2	Shaft seal 58-33-400/33		HNBR	H337476
	2	Shaft seal 58-33-400/73		FPM	H337478
9	1	Guide ring		Iglidur A500	H337477
	1	Guide band		Acoflon	H334863
10	1	Quad ring 12.37x 2.62		EPDM	H334865
	2	Hex. Screw M10x1		A2	H311646
11	1	Square key DIN6885 - A - 3x3x10		A2	H118903
	1	ATEX Actuator D4 SL	18, 19, 20	1.4301	H335171
12	2	O-ring 30 x 2.5		1.4301	H344352
	2	ATEX Actuator screw D4		Iglidur X	H337897

Pos. 9, 10, 11, 12, 14 available as complete seal kits only					
		Seal kit D4-Ø62		EPDM	H337884
		Seal kit D4-Ø62		HNBR	H337885
		Seal kit D4-Ø62		FPM	H337886

Information contained in this document is subject to change without notice and does not represent a commitment on the part of SPX FLOW, Inc.. No part of this document may be reproduced or transmitted in any form or by any means, electronic or mechanical, including photocopying and recording, for any purpose, without the express written permission of SPX FLOW, Inc..

**Spare parts list**

**Double seat mix proof valve D4 SL ex ia Zone 1 - DN50**

Date:	18.05.21				
Name:	C.Kell				
Reviewed:					
Date:				Page	4 of 12
Name:				<b>RN 501.047.05</b>	
Reviewed:					

**SPX FLOW**

pos. item	Quantity	Description, product contacted seals with reference number	included in spare parts (pos.)	Material	Part no.
1	1	Valve Housing D44-50		1.4404	H336274
		Valve Housing D43-50		1.4404	H337034
		Valve Housing D42-50		1.4404	H337024
		Valve Housing D41/1-8-50		1.4404	H337191
		Valve Housing D41/1-7-50		1.4404	H337171
		Valve Housing D41/1-6-50		1.4404	H337181
2	1	Upper valve shaft	13, 16, 25	1.4404	H341263
3	1	Lower valve shaft		1.4404	H334987
4	1	Shaft bearing - 62 D4		1.4404	H334381
5	1	O-ring		1.4404	H77039
6	1	Yoke D4 - 62		1.4404	H334383
7	1	Guide Rod - 50/2"	8, 15, 16	1.4404	H341292
8	2	Retainer ring		1.4301	H14883
	1	Middle seal 58-33-998/93		EPDM	H327602
9	1	Middle seal 58-33-998/33		HNBR	H32652
	1	Middle seal 58-33-998/73		FPM	H32653
	2	Seat seal 58-33-132/93		EPDM	H168192
10	2	Seat seal 58-33-132/33		HNBR	H171561
	2	Seat seal 58-33-132/73		FPM	H171559
	2	Shaft seal 58-33-400/93		EPDM	H337476
11	2	Shaft seal 58-33-400/33		HNBR	H337478
	2	Shaft seal 58-33-400/73		FPM	H337477
12	1	Guide ring		Iglidur A500	H334863
13	1	Guide band		Acoflon	H334865
14	1	Quad ring 12.37x 2.62		EPDM	H311646
15	2	Hex. Screw M10x1		A2	H118903
16	1	Square key DIN6885 - A - 3x3x10		A2	H335171
17	1	ATEX Actuator D4 SL	18, 19, 20	1.4301	H344353
18	2	O-ring 30 x 2.5		1.4301	H337897
19	2	ATEX Actuator screw D4		Iglidur X	H343859
20	2	V-seal		NBR	H334379
21	3	W-union G1/8" Ø6mm		hard nickel-pl.	H208825
22					
23	1	Stop screw		Grivory	H334382
24	2	Lock washer D4		1.4301	H335172
25	2	Safety nut D3		1.4301	H147640
26	2	Thrust ring		1.4057	H123151
27	8	Hex. screw M8 x 16		A2	H78772
28	1	Yoke cover D4 - 62	29	1.4301	H341311
29	4	Saveitix head screw M4 x 8 washer M4 as set		1.4301	H336707
31	1	Venting plug G-1/8"		PE-Hard	H16507
32	1	Spray connection DE3		PP	H168321
33	1	G-union 8x1-G1/8"		PVDF-black	H16388
34	1	IECEX CU ex ia D4 Adapter cpl.		PEHD 1000 - bl.	H343596
35	1	IECEX Cu ex ia 3M D4 24V		1.4301	H344051
36	1	Prox. Switch holder D4 compl.		SAXAMID	H344380
37	1	Operating cam D4 bottom		1.4523 / 444FR	H334386
38	1	Operating cam D4 top		1.4523 / 444FR	H334387
39	1	Hexagon screw M8 x 40		A2-70	H336675
<b>Pos. 9, 10, 11, 12, 14 available as complete seal kits only</b>					
		Seal kit D4-Ø62		EPDM	H337884
		Seal kit D4-Ø62		HNBR	H337885
		Seal kit D4-Ø62		FPM	H337886



Information contained in this document is subject to change without notice and does not represent a commitment on the part of SPX FLOW, Inc.. No part of this document may be reproduced or transmitted in any form or by any means, electronic or mechanical, including photocopying and recording, for any purpose, without the express written permission of SPX FLOW, Inc..

Spare parts list

Double seat mix proof valve D4 SL ex ia Zone 1 - 2"

Date:	18.05.21
Name:	C.Kell
Reviewed:	
Date:	
Name:	
Reviewed:	
Page 5 of 12	
RN 501.047.05	

SPX FLOW

pos. item	Quantity	Description, product contacted seals with reference number	included in spare parts (pos.)	Material	Part no.
1	1	Valve Housing D44-2"		1.4404	H336271
		Valve Housing D43-2"		1.4404	H337039
		Valve Housing D42-2"		1.4404	H337029
		Valve Housing D41/1-8-2"		1.4404	H337196
		Valve Housing D41/1-7-2"		1.4404	H337176
2	1	Upper valve shaft	13, 16, 25	1.4404	H341263
	1	Lower valve shaft		1.4404	H334987
3	1	Shaft bearing - 62 D4		1.4404	H334381
4	1	O-ring		1.4404	H77039
	1	Yoke D4 - 62		1.4404	H334383
	1	Guide Rod - 50/2"	8, 15, 16	1.4404	H341292
	2	Retainer ring		1.4301	H14883
9	1	Middle seal 58-33-998/93		EPDM	H327602
	1	Middle seal 58-33-998/33		HNBR	H332652
	1	Middle seal 58-33-998/73		FPM	H332653
	2	Seat seal 58-33-132/93		EPDM	H168192
10	2	Seat seal 58-33-132/33		HNBR	H171561
	2	Seat seal 58-33-132/73		FPM	H171559
11	2	Shaft seal 58-33-400/93		EPDM	H337476
	2	Shaft seal 58-33-400/33		HNBR	H337478
	2	Shaft seal 58-33-400/73		FPM	H337477
	1	Guide ring		Iglidur A500	H334863
12	1	Guide band		Acoflon	H334865
	1	Quad ring 12.37x 2.62		EPDM	H311646
15	2	Hex. Screw M10x1		A2	H118903
	1	Square key DIN6885 - A - 3x3x10		A2	H335171
17	1	ATEX Actuator D4 SL	18, 19, 20	1.4301	H344353
18	2	O-ring 30 x 2.5		1.4301	H337897
19	2	ATEX Actuator screw D4		Iglidur X	H343859
20	2	V-seal		NBR	H334379
21	3	W-union G1/8" Ø6mm		hard nickel-pl.	H208825
23	1	Stop screw		Grivory	H334382
	2	Lock washer D4		1.4301	H335172
25	2	Safety nut D3		1.4301	H147640
26	2	Thrust ring		1.4057	H123151
27	8	Hex. screw M8 x 16		A2	H78772
28	1	Yoke cover D4 - 62	29	1.4301	H341311
29	4	Saveitix head screw M4 x 8 washer M4 as set		1.4301	H336707
31	1	Venting plug G-1/8"		PE-Hard	H16507
32	1	Spray connection DE3		PP	H168321
33	1	G-union 8x1-G1/8"		PVDF-black	H16388
34	1	IECEX CU ex ia D4 Adapter cpl.		PEHD 1000 - bl.	H343596
35	1	IECEX Cu ex ia 3M D4 24V		1.4301	H344051
36	1	Prox. Switch holder D4 compl.		SAXAMID	H344380
37	1	Operating cam D4 bottom		1.4523 / 444FR	H334386
38	1	Operating cam D4 top		1.4523 / 444FR	H334387
39	1	Hexagon screw M8 x 40		A2-70	H336675

<b>Pos. 9, 10, 11, 12, 14 available as complete seal kits only</b>					
		Seal kit D4-Ø62		EPDM	H337884
		Seal kit D4-Ø62		HNBR	H337885
		Seal kit D4-Ø62		FPM	H337886









Information contained in this document is subject to change without notice and does not represent a commitment on the part of SPX FLOW, Inc.. No part of this document may be reproduced or transmitted in any form or by any means, electronic or mechanical, including photocopying and recording, for any purpose, without the express written permission of SPX FLOW, Inc..

Spare parts list

Date: 18.05.21				<b>SPX FLOW</b>	
Name: C.Kell					
Reviewed:					
Date:				Page 10 of 12	
Name:				<b>RN 501.047.05</b>	
Reviewed:					

**Double seat mix proof valve D4 SL ex ia Zone 1 - DN100**

pos. item	Quantity	Description, product contacted seals with reference number	included in spare parts (pos.)	Material	Part no.
1	1	Valve Housing D44-100		1.4404	H336279
		Valve Housing D43-100		1.4404	H337037
		Valve Housing D42-100		1.4404	H337027
		Valve Housing D41/1-8-100		1.4404	H337194
		Valve Housing D41/1-7-100		1.4404	H337174
		Valve Housing D41/1-6-100		1.4404	H337184
2	1	Upper valve shaft	13, 16, 25	1.4404	H341268
3	1	Lower valve shaft		1.4404	H335394
4	1	Shaft bearing - 92 D4		1.4404	H335713
5	1	O-ring		1.4404	H77039
6	1	Yoke D4 - 92		1.4404	H335994
7	1	Guide Rod - 100/4"	8, 15, 16	1.4404	H341297
8	2	Retainer ring		1.4301	H14883
	1	Middle seal 58-33-997/93		EPDM	H327985
9	1	Middle seal 58-33-997/33		HNBR	H32649
	1	Middle seal 58-33-997/73		FPM	H332648
	2	Seat seal 58-33-133/93		EPDM	H168153
10	2	Seat seal 58-33-133/33		HNBR	H171565
	2	Seat seal 58-33-133/73		FPM	H171563
	2	Shaft seal 58-33-405/93		EPDM	H337668
11	2	Shaft seal 58-33-405/33		HNBR	H337670
	2	Shaft seal 58-33-405/73		FPM	H337669
12	1	Guide ring		Iglidur A500	H337669
13	1	Guide band		Acoflon	H334865
14	1	Quad ring 12.37x 2.62		EPDM	H311646
15	2	Hex. Screw M10x1		A2	H118903
16	1	Square key DIN6885 - A - 3x3x10		A2	H335171
17	1	ATEX Actuator D4 SL	18, 19, 20	1.4301	H344357
18	2	O-ring 30 x 2.5		1.4301	H337897
19	2	ATEX Actuator screw D4		Iglidur X	H343859
		Seal kit D4-Ø92		EPDM	H337887
		Seal kit D4-Ø92		HNBR	H337888
		Seal kit D4-Ø92		FPM	H337889

Pos. 9, 10, 11, 12, 14 available as complete seal kits only

Information contained in this document is subject to change without notice and does not represent a commitment on the part of SPX FLOW, Inc.. No part of this document may be reproduced or transmitted in any form or by any means, electronic or mechanical, including photocopying and recording, for any purpose, without the express written permission of SPX FLOW, Inc..

Spare parts list

**Double seat mix proof valve D4 SL ex ia Zone 1 - 4"**

Date:	18.05.21
Name:	C.Kell
Reviewed:	
Date:	
Name:	
Reviewed:	

pos. item	Quantity	Description, product contacted seals with reference number	included in spare parts (pos.)	Material	Part no.
1	1	Valve Housing D44-4"		1.4404	H335280
		Valve Housing D43-4"		1.4404	H337042
		Valve Housing D42-4"		1.4404	H337032
		Valve Housing D41/1-8-4"		1.4404	H337199
		Valve Housing D41/1-7-4"		1.4404	H337179
2	1	Upper valve shaft	13, 16, 25	1.4404	H341268
3	1	Lower valve shaft		1.4404	H335394
4	1	Shaft bearing - 92 D4		1.4404	H335713
5	1	O-ring		1.4404	H77039
6	1	Yoke D4 - 92		1.4404	H335994
7	1	Guide Rod - 100/4"	8, 15, 16	1.4404	H341297
8	2	Retainer ring		1.4301	H14883
	1	Middle seal		EPDM	H327985
9	1	Middle seal		HNBR	H332649
	1	Middle seal		FPM	H332648
	2	Seat seal		EPDM	H168153
10	2	Seat seal		HNBR	H171565
	2	Seat seal		FPM	H171563
11	2	Shaft seal		EPDM	H337668
	2	Shaft seal		HNBR	H337670
12	2	Shaft seal		FPM	H337669
	1	Guide ring		Iglidur A500	H337669
13	1	Guide band		Acoflon	H334865
	1	Quad ring 12.37x 2.62		EPDM	H311646
15	2	Hex. Screw M10x1		A2	H118903
16	1	Square key DIN6885 - A - 3x3x10		A2	H335171
17	1	ATEX Actuator D4 SL	18, 19, 20	1.4301	H344357
18	2	O-ring 30 x 2.5		1.4301	H337897
19	2	ATEX Actuator screw D4		Iglidur X	H343859

pos. item	Quantity	Description, product contacted seals with reference number	included in spare parts (pos.)	Material	Part no.
20	2	V-seal		NBR	H334379
21	3	W-union G1/8" Ø6mm		hard nickel-pl.	H208825
23	1	Stop screw		Grivory	H334382
24	2	Lock washer D4		1.4301	H335172
25	2	Safety nut D3		1.4301	H147640
26	2	Thrust ring		1.4057	H123151
27	8	Hex. screw M8 x 16		A2	H78772
28	1	Yoke cover D4 - 92	29	1.4301	H341312
29	4	Savetix head screw M4 x 8 washer M4 as set		1.4301	H336707
31	1	Venting plug G-1/8"		PE-Hard	H16507
32	1	Spray connection DE3 - 92		PP	H168322
33	1	G-union 8x1-G1/8"		PVDF-black	H16388
34	1	IECEX CU ex ia D4 Adapter cpl.		PEHD 1000 - bl.	H343596
35	1	IECEX Cu ex ia 3M D4 24V		1.4301	H344051
36	1	Prox. Switch holder D4 compl.		SAXAMID	H344380
37	1	Operating cam D4 bottom		1.4523 / 444FR	H334386
38	1	Operating cam D4 top		1.4523 / 444FR	H334387
39	1	Hexagon screw M8 x 40		A2-70	H336675

**Pos. 9, 10, 11, 12, 14 available as complete seal kits only**

Seal kit D4-Ø92	EPDM	H337887
Seal kit D4-Ø92	HNBR	H337888
Seal kit D4-Ø92	FPM	H337889

Information contained in this document is subject to change without notice and does not represent a commitment on the part of SPX FLOW, Inc.. No part of this document may be reproduced or transmitted in any form or by any means, electronic or mechanical, including photocopying and recording, for any purpose, without the express written permission of SPX FLOW, Inc..

Spare parts list

## Double seat mix proof valve D4 SL ex ia Zone 1 - Adapters / Control Units

Date:	18.05.21			
Name:	C.Keil			
Reviewed:				
Date:		Page	12	of 12
Name:		<b>RN 501.047.05</b>		
Reviewed:				

pos. item	Quantity	Description, product contacted seals with reference number	air connections	Material	Part no.		

pos. item	Quantity	Description, product contacted seals with reference number	air connections	Material	Part no.
<b>IEC EX ia adapter Zone 1</b>					
34	1	IECEX CU ex ia D4 adapter compl.	/	PEHD 1000	H343596
<b>IEC EX ia Control Unit Zone 1</b>					
35	1	IECEX CU ex ia 3M D4 24V	6 mm	1.4301	H344051

pos. item	Quantity	Description, product contacted seals with reference number	air connections	Material	Part no.		

**SPX FLOW**



Information contained in this document is subject to change without notice and does not represent a commitment on the part of SPX FLOW, Inc.. No part of this document may be reproduced or transmitted in any form or by any means, electronic or mechanical, including photocopying and recording, for any purpose, without the express written permission of SPX FLOW, Inc..

Spare Parts list

# Double seat mix proof valve D4 SL ex ia Zone 1 DN 125 - 150 , 6"

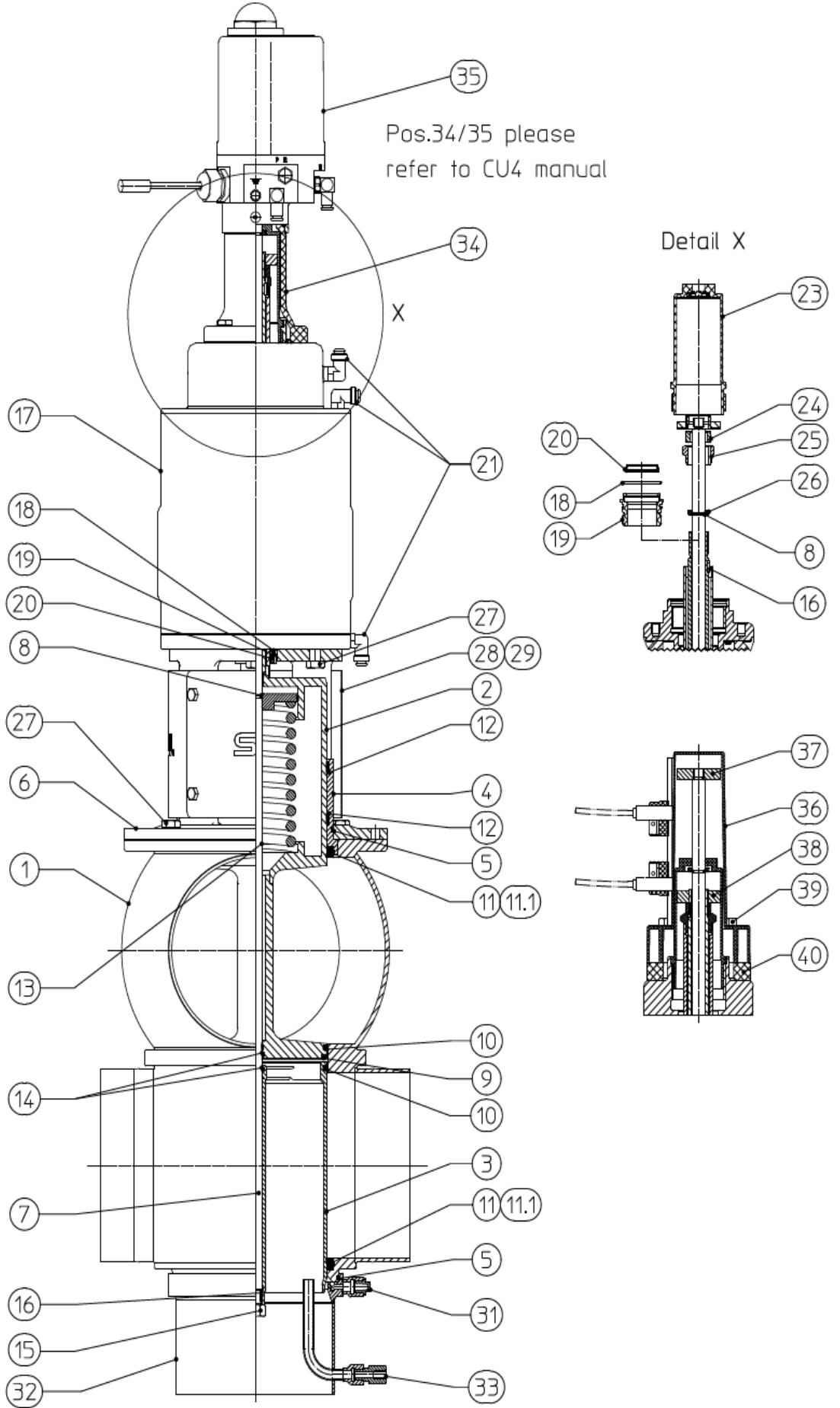
Date: 22.06.21  
Name: C.Keil  
Reviewed:

Date:   
Name:   
Reviewed:

SPX FLOW

Page 1 of 5

RN 501.047.06





Information contained in this document is subject to change without notice and does not represent a commitment on the part of SPX FLOW, Inc.. No part of this document may be reproduced or transmitted in any form or by any means, electronic or mechanical, including photocopying and recording, for any purpose, without the express written permission of SPX FLOW, Inc..

Spare parts list

## Double seat mix proof valve D4 SL ex ia Zone 1 - DN150

Date:	22.06.21
Name:	C.Kell
Reviewed:	
Date:	
Name:	
Reviewed:	

<b>SPX FLOW</b>	
Page	3 of 5
<b>RN 501.047.06</b>	

pos. item	Quantity	Description, product contacted seals with reference number	included in spare parts (pos.)	Material	Part no.
<b>1</b>					
1	1	Valve Housing D44-150		1.4404	H340132
		Valve Housing D43-150		1.4404	H340133
		Valve Housing D42-150		1.4404	H340134
		Valve Housing D41/1-8-150		1.4404	H340137
		Valve Housing D41/1-7-150		1.4404	H340136
		Valve Housing D41/1-6-150		1.4404	H340135
2	1	Upper valve shaft	13, 16, 25	1.4404	H341270
3	1	Lower valve shaft		1.4404	H340311
4	1	Shaft bearing - 138 D4		1.4404	H340322
5	1	O-ring		1.4404	H77081
6	1	Yoke D4 - 138		1.4404	H340323
7	1	Guide Rod - 150 / 6"	8, 15, 16	1.4404	H341299
8	2	Retainer ring		1.4301	H14883
<b>9</b>					
1	1	Middle seal 58-33-995/93		EPDM	H340325
1	1	Middle seal 58-33-995/33		HNBR	H340326
1	1	Middle seal 58-33-995/73		FPM	H340327
2	2	Seat seal 58-33-134/93		EPDM	H173739
2	2	Seat seal 58-33-134/33		HNBR	H173738
2	2	Seat seal 58-33-134/73		FPM	H338070
<b>11</b>					
2	2	Shaft seal 58-33-743/93		EPDM	H77628
2	2	Shaft seal 58-33-743/33		HNBR	H170177
2	2	Shaft seal 58-33-743/73		FPM	H77627
11.1	2	PTFE Shaft seal		PTFE	H340328
12	1	Guide ring		Iglidur A500	H340182
13	1	Guide band		Acoflon	H334865
14	1	Quad ring 12,37x 2,62		EPDM	H311646
15	2	Hex. Screw M10x1		A2	H118903
16	1	Square key DIN6885 - A - 3x3x10		A2	H335171
17	1	ATEX Actuator D4 SL	18, 19, 20	1.4301	H344360
18	2	O-ring 30 x 2,5		1.4301	H337897
<b>pos. item</b>					
	Quantity	Description, product contacted seals with reference number	included in spare parts (pos.)	Material	Part no.
19	2	ATEX Actuator screw D4		Iglidur X	H343859
20	2	V-seal		NBR	H334379
21	3	W-union G1/8" Ø6mm		hard nickel-pl.	H208825
23	1	Stop screw		Grivory	H334382
24	2	Safety nut D3		1.4301	H147640
25	2	Lock washer D4		1.4301	H335172
26	2	Thrust ring		1.4057	H123151
27	8	Hex. screw M8 x 16		A2	H78772
28	1	Yoke cover D4 - 138	29	1.4301	H341314
29	4	Savetix head screw M4 x 8 washer M4 as set		1.4301	H336707
31	1	Venting plug G-1/8"		PE-Hard	H16507
32	1	Spray connection D4 - 138		1.4301	H344394
33	1	G-union 8x1-G1/8"		PVDF-black	H16388
34	1	IECEX CU ex ia D4 Adapter cpl.		PEHD 1000 - bl.	H343596
35	1	IECEX Cu ex ia 3M D4 24V		1.4301	H344051
36	1	Prox. Switch holder D4 cmpl.		SAXAMID	H344380
37	1	Operating cam D4 bottom		1.4523 / 444FR	H334386
38	1	Operating cam D4 top		1.4523 / 444FR	H334387
39	1	Hexagon screw M8 x 40		A2-70	H340751
40	1	Spacer D4-138		PA6.6 GF30 bla.	H340179
<b>Pos. 9, 10, 11, 12, 14 available as complete seal kits only</b>					
		Seal kit D4-Ø138		EPDM	H340578
		Seal kit D4-Ø138		HNBR	H340579
		Seal kit D4-Ø138		FPM	H340580

Information contained in this document is subject to change without notice and does not represent a commitment on the part of SPX FLOW, Inc.. No part of this document may be reproduced or transmitted in any form or by any means, electronic or mechanical, including photocopying and recording, for any purpose, without the express written permission of SPX FLOW, Inc..

Spare parts list

**Double seat mix proof valve D4 SL ex ia Zone 1 - 6"**

Date:	22.06.21
Name:	C.Kell
Reviewed:	
Date:	
Name:	
Reviewed:	

pos. item	Quantity	Description, product contacted seals with reference number	included in spare parts (pos.)	Material	Part no.
1	1	Valve Housing D44-6"		1.4404	H340138
		Valve Housing D43-6"		1.4404	H340139
		Valve Housing D42-6"		1.4404	H340140
		Valve Housing D41/1-8-6"		1.4404	H340143
		Valve Housing D41/1-7-6"		1.4404	H340142
2	1	Upper valve shaft	13, 16, 25	1.4404	H340141
3	1	Lower valve shaft		1.4404	H340311
4	1	Shaft bearing - 138 D4		1.4404	H340322
5	1	O-ring		1.4404	H77081
6	1	Yoke D4 - 138		1.4404	H340323
7	1	Guide Rod - 150 / 6"	8, 15, 16	1.4404	H341299
8	2	Retainer ring		1.4301	H14883
9	1	Middle seal 58-33-995/93		EPDM	H340325
	1	Middle seal 58-33-995/33		HNBR	H340326
	1	Middle seal 58-33-995/73		FPM	H340327
10	2	Seat seal 58-33-134/93		EPDM	H173739
	2	Seat seal 58-33-134/33		HNBR	H173738
	2	Seat seal 58-33-134/73		FPM	H338070
11	2	Shaft seal 58-33-743/93		EPDM	H77628
	2	Shaft seal 58-33-743/33		HNBR	H170177
	2	Shaft seal 58-33-743/73		FPM	H77627
11.1	2	PTFE Shaft seal		PTFE	H340328
12	1	Guide ring		Iglidur A500	H340182
13	1	Guide band		Acoflon	H334865
14	1	Quad ring 12,37x 2,62		EPDM	H311646
15	2	Hex. Screw M10x1		A2	H118903
16	1	Square key DIN6885 - A - 3x3x10		A2	H335171
17	1	ATEX Actuator D4 SL	18, 19, 20	1.4301	H344360
18	2	O-ring 30 x 2,5		1.4301	H337897

pos. item	Quantity	Description, product contacted seals with reference number	included in spare parts (pos.)	Material	Part no.
19	2	ATEX Actuator screw D4		Iglidur X	H343859
20	2	V-seal		NBR	H334379
21	3	W-union G1/8" Ø6mm		hard nickel-pl.	H208825
23	1	Stop screw		Grivory	H334382
24	2	Safety nut D3		1.4301	H147640
25	2	Lock washer D4		1.4301	H335172
26	2	Thrust ring		1.4057	H123151
27	8	Hex. screw M8 x 16		A2	H78772
28	1	Yoke cover D4 - 138	29	1.4301	H341314
29	4	Savetix head screw M4 x 8 washer M4 as set		1.4301	H336707
31	1	Venting plug G-1/8"		PE-Hard	H16507
32	1	Spray connection D4 - 138		1.4301	H344394
33	1	G-union 8x1-G1/8"		PVDF-black	H16388
34	1	IECEX CU ex ia D4 Adapter cpl.		PEHD 1000 - bl.	H343596
35	1	IECEX Cu ex ia 3M D4 24V		1.4301	H344051
36	1	Prox. Switch holder D4 cmpl.		SAXAMID	H344380
37	1	Operating cam D4 bottom		1.4523 / 444FR	H334386
38	1	Operating cam D4 top		1.4523 / 444FR	H334387
39	1	Hexagon screw M8 x 40		A2-70	H340751
40	1	Spacer D4-138		PA6.6 GF30 bla.	H340179

**Pos. 9, 10, 11, 12, 14 available as complete seal kits only**

Seal kit D4-Ø138	EPDM	H340578
Seal kit D4-Ø138	HNBR	H340579
Seal kit D4-Ø138	FPM	H340580

Information contained in this document is subject to change without notice and does not represent a commitment on the part of SPX FLOW, Inc.. No part of this document may be reproduced or transmitted in any form or by any means, electronic or mechanical, including photocopying and recording, for any purpose, without the express written permission of SPX FLOW, Inc..

Spare parts list

## Double seat mix proof valve D4 SL ex ia Zone 1 - Adapters / Control Units

Date:	22.06.21			
Name:	C.Keil			
Reviewed:				
Date:		Page	5	of
Name:				5
Reviewed:				

**SPX FLOW**

pos. item	Quantity	Description, product contacted seals with reference number	air connections	Material	Part no.
-----------	----------	--	-----------------	----------	----------

34	<b>IEC EX ia adapter Zone 1</b>				
	1	IECEX CU ex ia D4 adapter compl.	/	PEHD 1000	H343596
35	<b>IEC EX ia Control Unit Zone 1</b>				
	1	IECEX CU ex ia 3M D4 24V	6 mm	1.4301	H344051

--	--	--	--	--	--



## APV D4 / D4 SL

DOUBLE SEAT MIX PROOF VALVES

FOR SPECIFIC ATEX ZONE 1 APPLICATIONS

# SPXFLOW®

### SPX FLOW

#### Design Center

Gottlieb-Daimler-Straße 13  
D-59439 Holzwickede, Germany  
P: (+49) (0) 2301-9186-0  
F: (+49) (0) 2301-9186-300

### SPX FLOW, Inc.

#### Production

611 Sugar Creek Road  
Delavan, WI 53115, USA  
P: (+1) 262 728 1900 or (800) 252 5200  
F: (+1) 262 728 4904 or (800) 252 5012  
E: [wcb@spxflow.com](mailto:wcb@spxflow.com)

### SPX FLOW

#### Production

Stefana Rolbieskiego 2  
PL- Bydgoszcz 85-862, Poland  
P: (+48) 52 566 76 00  
F: (+48) 52 525 99 09

SPX FLOW reserves the right to incorporate the latest design and material changes without notice or obligation.

Design features, materials of construction and dimensional data, as described in this manual, are provided for your information only and should not be relied upon unless confirmed in writing. Please contact your local sales representative for product availability in your region. For more information visit [www.spxflow.com](http://www.spxflow.com).

ISSUED 06/2021 - Original manual  
COPYRIGHT ©2021 SPX FLOW, Inc..