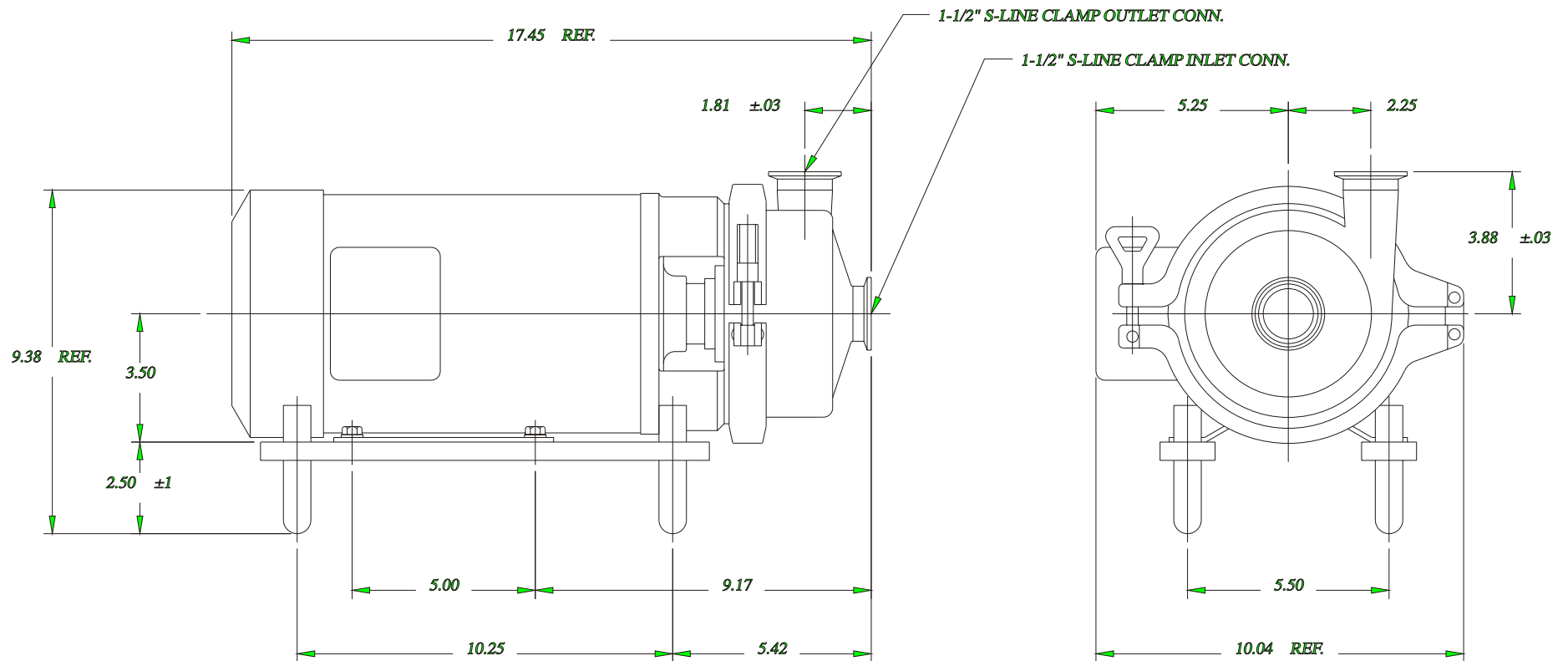


DRAWING AT FULL SCALE, PLOT AT 0.375=1!!!



MOTOR SPECIFICATIONS:

BALDOR - TEFC
 3 PHASE 60 HZ 230/460 VOLTS
 2 HP @ 3500 RPM
 145JM FRAME

PUMP SPECIFICATIONS:

2045-1515-MP PUMP
 4.50" DIA. IMPELLER
 TYPE 1 SINGLE MECHANICAL SEAL
 CARBON ROTARY/PUREBIDE STATIONARY
 VITON ELASTOMERS
 ADJUSTABLE LEG KIT

RELEASE

1515-145

CENTRIFUGAL PUMP LAYOUT
 2045-1515-MP 145JM MOTOR

TDB
 8-12-98

1 1

B 0