

# APV Homogenizer Rannie 132T / Gaulin 132T



## Introduction

The Rannie 132T / Gaulin 132T homogenizer, a positive displacement triplex, reciprocating plunger pump, is fitted with an application-specific homogenizing valve assembly: single-stage with hydraulic actuation.

The Rannie 132T / Gaulin 132T homogenizer incorporates a durable slow-speed power end that reduces vibration and noise. Easy access to the hydraulic actuation system, lubrication oil and other auxiliary systems simplifies maintenance saving time and money. Liquid end options include a three-piece valve housing (Rannie) or a mono-block design (Gaulin).

Design features of both the Rannie and Gaulin simplify routine maintenance. Materials for plungers, packings, pump valves, valve seats and seals are custom-selected for your application. SPX FLOW engineers will work with you to optimize the configuration for your specific application.

## STANDARD OPTIONS

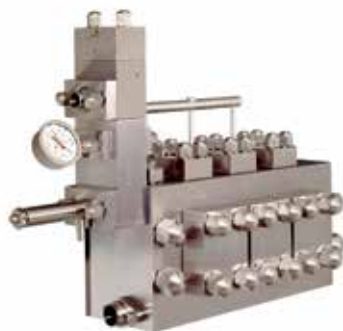
- Two-stage hydraulic valve actuation (HVA)
- Single-stage automatic hydraulic system (AHS)
- Two-stage automatic hydraulic system (AHS)
- Pulsation dampener(s) on inlet and outlet
- Aseptic cylinder design
- High-pressure outlet
- Inlet pressure gauge
- Plunger lubrication control package
- Micro-Gap homogenizing valve
- Tungsten carbide homogenizing valve
- Square plunger seals and ceramic plungers (Rannie valve housing only)
- External cooling fan/main motor
- Motor starter
- Control cabinet, stainless steel
- Thermostat/oil temperature

## SPECIAL OPTIONS

- Acid-proof cylinder (Gaulin valve housing only)
- Ceramic plungers with U- or V-rings
- Explosion-proof design
- Electropolished wettables
- High-temperature design
- Flow switch - power end cooling
- UFO - Unit for Filtration of Oil



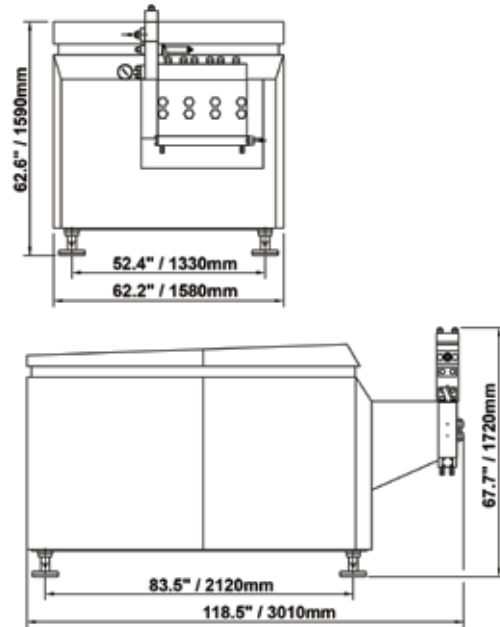
**Rannie three-piece valve housing**



**Gaulin mono-block design**

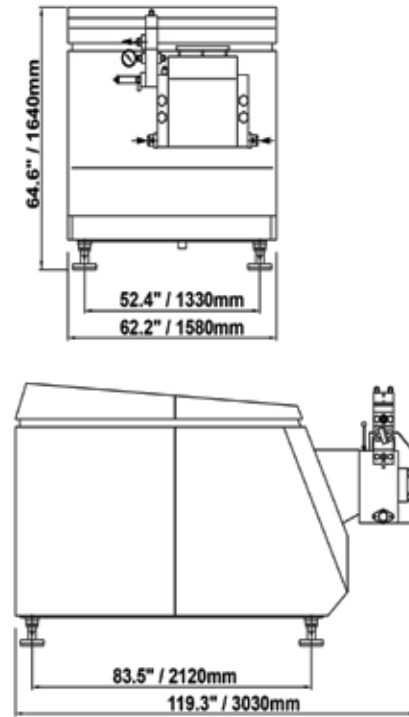
## RANNIE/THREE-PIECE VALVE HOUSING POPPET AND BALL TYPE VALVES

TYPE	MAX. CAP./MAX. PRESS.	
	GPH (LPH)	PSI (BAR)
85.140	5,810 (22,000)	2,900 (200)
75.140	4,490 (17,000)	3,625 (250)
70.140	3,910 (15,000)	4,300 (300)
60.140	2,905 (11,000)	5,800 (400)
50.140	1,980 (7,500)	8,700 (600)
42.140	1,350 (5,100)	11,600 (800)
38.140	1,060 (4,000)	14,500 (1,000)



## GAULIN/MONO-BLOCK DESIGN

TYPE	MAX. CAP./MAX. PRESS.	
	GPH (LPH)	PSI (BAR)
<b>POPPET TYPE VALVES</b>		
3.0	5,150 (19,500)	3,000 (210)
4.3	3,435 (15,000)	4,300 (300)
5.8	2,905 (11,000)	5,800 (400)
<b>BALL TYPE VALVES</b>		
3.0	5,020 (19,000)	3,000 (210)
4.3	3,300 (14,500)	4,300 (300)
5.8	2,775 (10,500)	5,800 (400)
8.7	1,950 (7,400)	8,700 (600)



## DIMENSIONS (SINGLE STAGE)

DIMENSIONS PACKED IN A CRATE LXWXH IN (CM)	CUBIC MEASURE FT <sup>3</sup> (M <sup>3</sup> )	GROSS WEIGHT IN A CRATE INCL. MOTOR LB (KG)
124.4 X 82.2 X 77.2 (311 X 178 X 193)	377.9 (10.7)	12,570 (5,700)

Based in Charlotte, North Carolina, SPX FLOW, Inc. (NYSE: FLOW) is a multi-industry manufacturing leader. For more information, please visit [www.spxflow.com](http://www.spxflow.com)

# SPXFLOW

SPX FLOW 611 Sugar Creek Road Delavan, WI 53115

P: (262) 728-1900 or (800) 252-5200 E: [answers.us@spxflow.com](mailto:answers.us@spxflow.com)

SPX FLOW, Inc. reserves the right to incorporate our latest design and material changes without notice or obligation.

Design features, materials of construction and dimensional data, as described in this bulletin, are provided for your information only and should not be relied upon unless confirmed in writing. Please contact your local sales representative for product availability in your region. For more information visit [www.spxflow.com](http://www.spxflow.com).

The green "s" and "x" are trademarks of SPX FLOW, Inc.

ISSUED 04/2017 3025-06-11-2012-US COPYRIGHT © 2017 SPX FLOW, Inc.