

The logo for SPX, with 'SP' in dark grey and 'X' in green, followed by a registered trademark symbol.

SPX®

A green arrow icon pointing to the right.

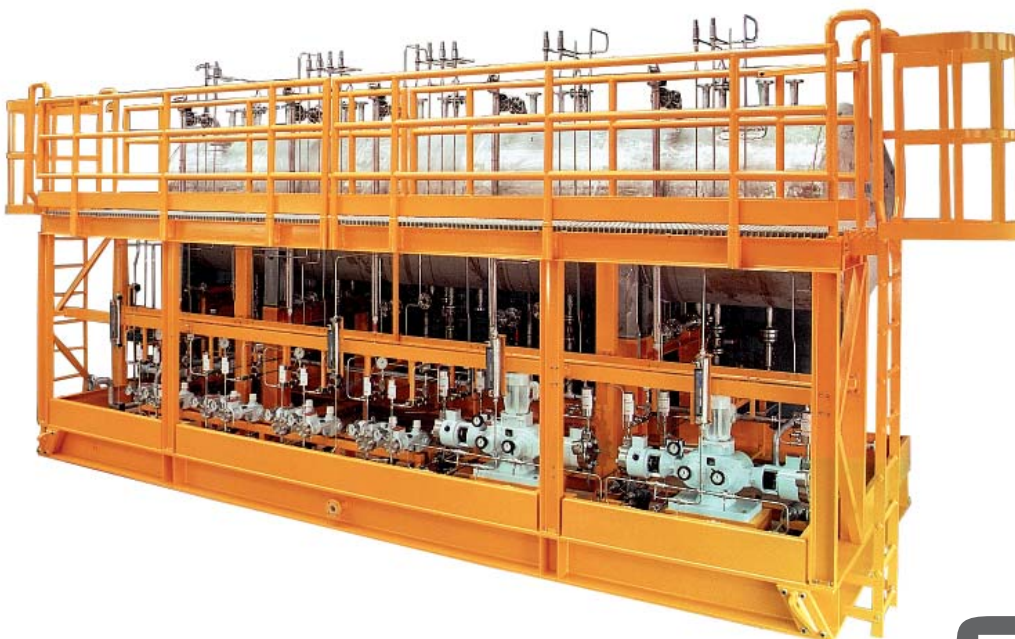
Where Ideas Meet Industry



AutoBlend Systems Offshore Chemical Metering System

Advantages

- Design, purchasing, building and expert pump selection provided by one company
- Remote operation with automatic stroke control of pumps
- Long service life of diaphragm pumps with remote alarm for failure
- Additional heads can be added for future injection points
- Variable speed motor or stroke control can be added to inject in automatically in proportion to the main flow



Chemical injection for oil and gas offshore fields is required to treat sea water and associated pipelines before re-injection and to treat oil before exporting to land.

Sea water treatment consists of metering bactericides, oxygen scavenger, scale and corrosion inhibitors in proportion to the main sea water flow.

For oil treatment pour point depressants, anti-foaming agents, wax inhibitors, polymers, scale and corrosion inhibitors are injected at high pressures to maintain oil flow and protect oil pipelines.

Packages are custom built to meet customer specification and space requirements.

Components

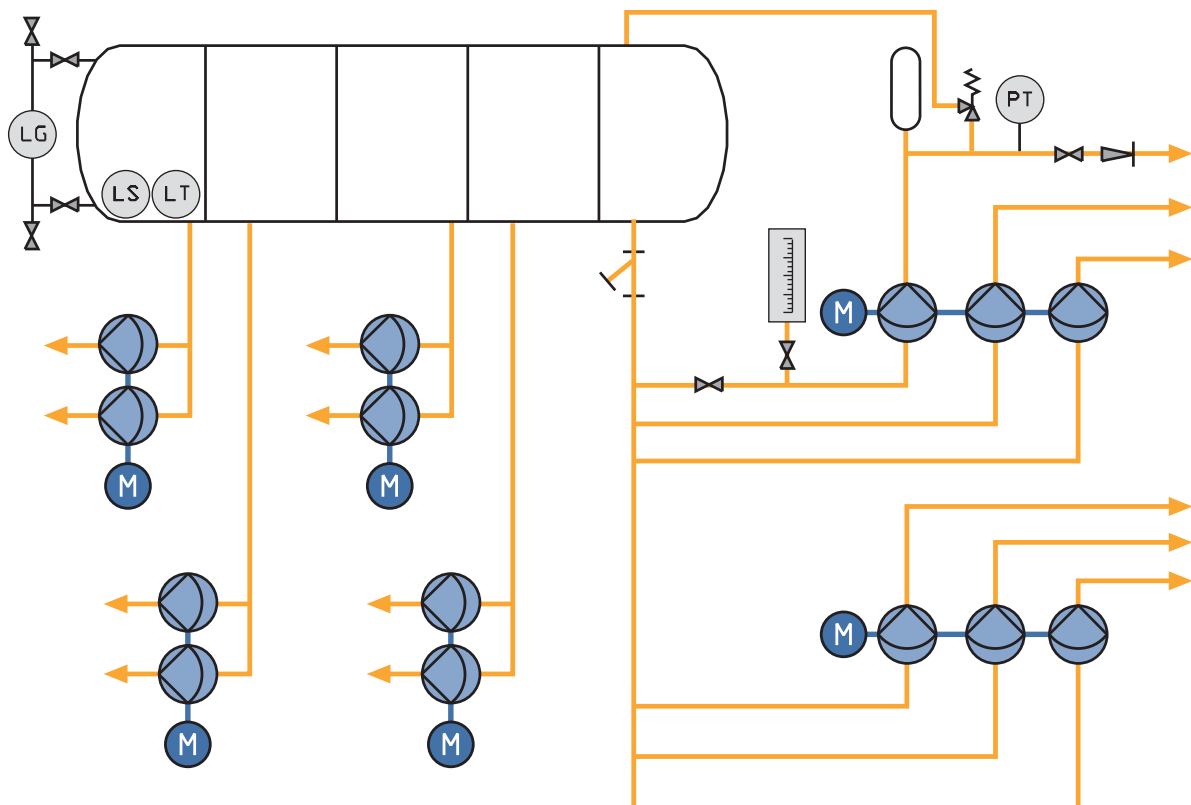
- 4 horizontally combined double-head pumps and 2 vertically combined triple headed pumps all of a double-diaphragm design
- Multi-compartment cylindrical storage tank manufactured in stainless steel (316)
- Suction side calibration facility
- 12 discharge pulsation dampers
- 12 discharge relief valves
- 5 tank level transmitters

All welded pipework to ASME 9 procedures and Lloyds approved welder qualifications

Automation

- Monitoring of tank levels linked to pump motor shut down when tank is empty
- Diaphragm condition monitoring and shutdown if pump fails

Simplified process diagram



SPX Flow Technology - Werkstrasse 4 - D-22844 Norderstedt
 Phone: +49 40 52202-0 - Fax: +49 40 52202-444
 E-mail: bl@spx.com - <http://www.branluebbe.com>

For more information about our worldwide locations, approvals, certifications, and local representatives, please visit www.branluebbe.com / www.spxft.com

SPX Corporation reserves the right to incorporate our latest design and material changes without notice or obligation. Design features, materials of construction and dimensional data, as described in this bulletin, are provided for your information only and should not be relied upon unless confirmed in writing.

Issued: BL-143 - 1.0 - E 07/2010

Copyright © SPX Corporation 2010

SPX®



Global Headquarters
13515 Ballantyne Corporate Place
Charlotte, North Carolina 28277
United States

Where Ideas Meet Industry

Where Ideas Meet Industry

www.spx.com