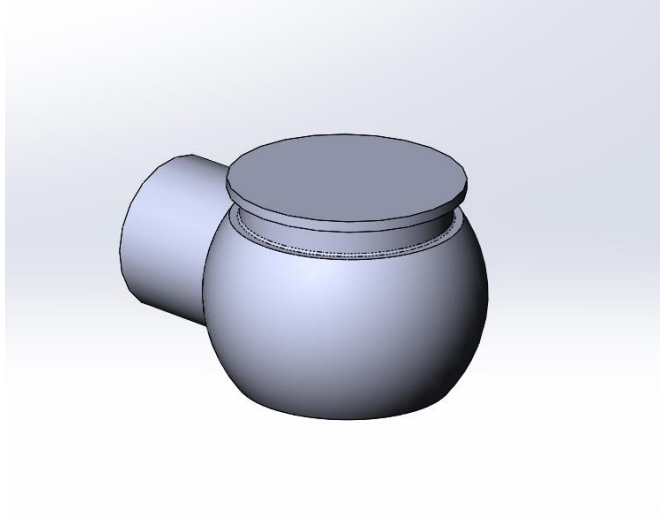


Step 1: Download files.

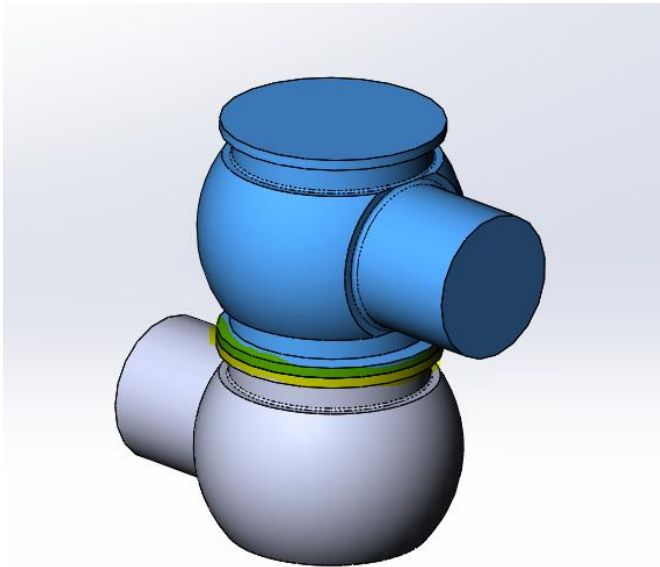
- (1) adapter, (1) actuator, (1) control top – If Applicable, (1) fitting – If Applicable, (1, 2, or 3) bodies

Step 2: Place lowest body into assembly file and fix position.



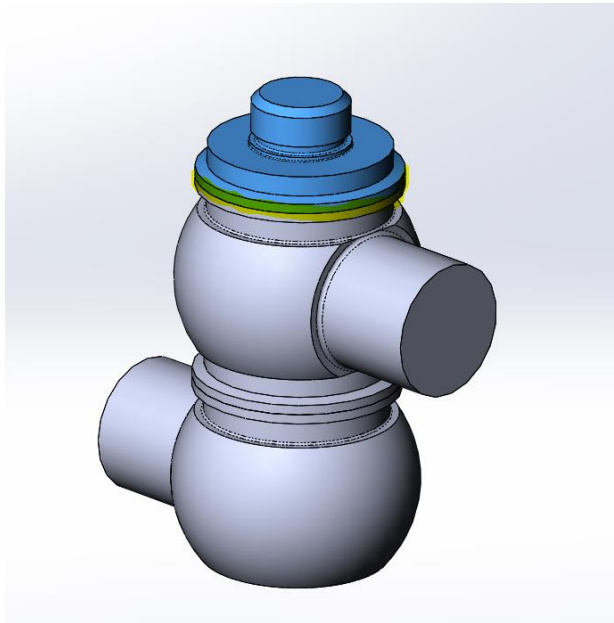
Step 3: Place and orient next body(ies) if the valve has multiple bodies.

- If it is a single body, skip to step 4.
- Align highlighted edges for proper assembly.

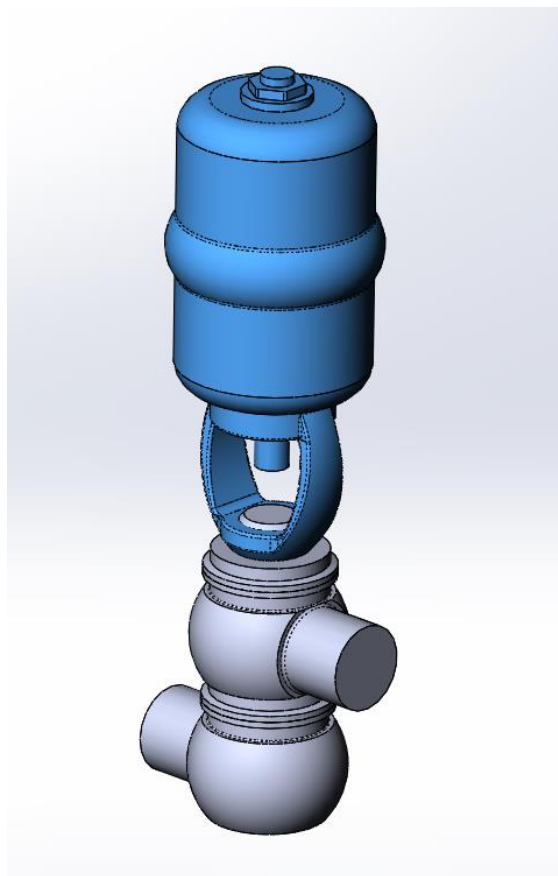


Step 4: Place and orient the adapter.

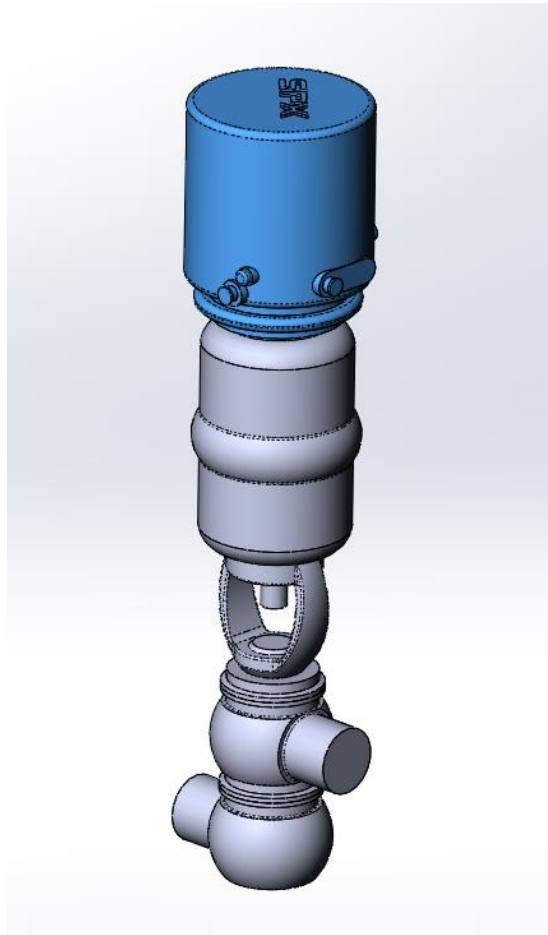
- Align highlighted edges for proper assembly.



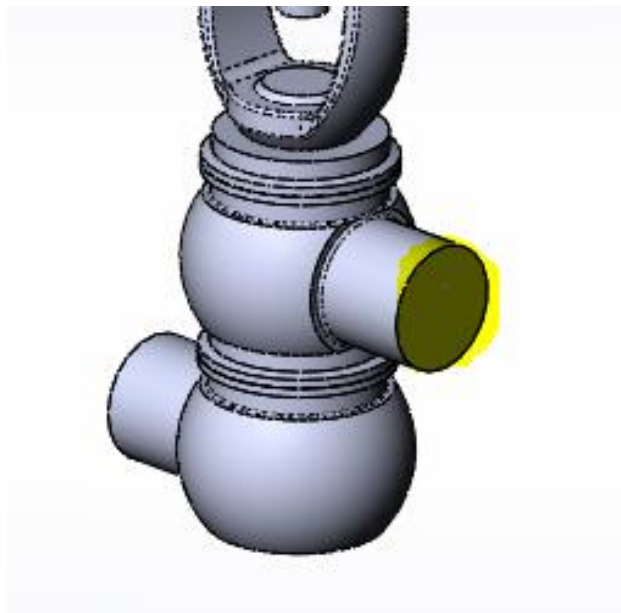
Step 5: Place and orient the actuator.



Step 6: Place and orient the control top (if applicable).

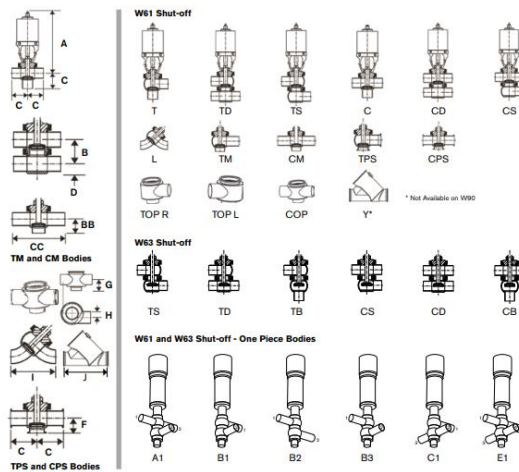


Step 7: Add fittings to the ports (if applicable).



Step 8: Verify port-to-port dimensions by comparing to dimensional tables in DS-1201.

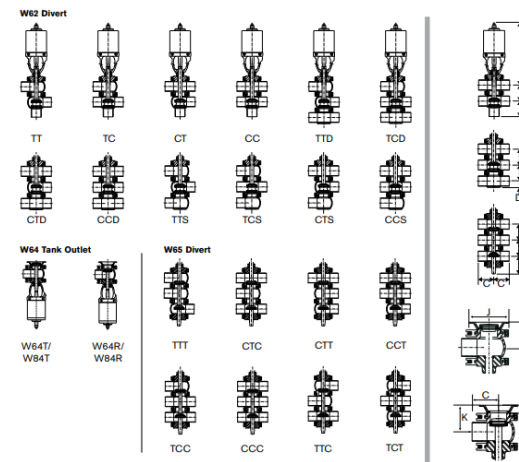
**BODY CONFIGURATIONS (1 OF 2)**



**VALVE DIMENSIONS**

VALVE SIZE	A	B	BB	D BUTTWELD	D S-LINE	CC	D	F S-LINE	B BUTTWELD	B S-LINE	H	I BUTTWELD	I S-LINE	J BUTTWELD	J S-LINE
1.0"	2.63	1.98	2.00	3.12	3.00	0.90	1.83	2.00	0.90	0.90	4.76	5.33	—	—	—
1.5"	3.63	2.64	2.25	3.75	3.50	1.26	2.49	2.50	1.26	1.26	6.60	7.26	6.60	6.60	—
2.0"	4.63	3.64	3.00	4.50	4.00	1.59	3.19	3.19	1.59	1.59	8.50	9.16	8.50	8.50	—
2.5"	5.63	4.64	3.50	5.25	4.50	1.92	3.89	3.89	1.92	1.92	10.40	11.06	10.40	10.40	—
3.0"	6.63	5.64	4.00	6.00	5.00	2.25	4.59	4.59	2.25	2.25	12.30	12.96	12.30	12.30	—
3.5"	7.63	6.64	4.50	6.75	5.50	2.58	5.29	5.29	2.58	2.58	14.20	14.86	14.20	14.20	—
4.0"	8.63	7.64	5.00	7.50	6.00	2.91	5.99	5.99	2.91	2.91	16.10	16.76	16.10	16.10	—
4.5"	9.63	8.64	5.50	8.25	6.50	3.24	6.69	6.69	3.24	3.24	18.00	18.66	18.00	18.00	—
5.0"	10.63	9.64	6.00	9.00	7.00	3.57	7.39	7.39	3.57	3.57	19.90	20.56	19.90	19.90	—
6.0"	12.63	11.64	7.00	10.50	8.00	4.20	8.49	8.49	4.20	4.20	22.80	23.46	22.80	22.80	—
8.0"	16.63	15.64	9.00	13.50	10.00	5.40	11.19	11.19	5.40	5.40	29.70	30.36	29.70	29.70	—
10.0"	20.63	19.64	11.00	16.50	12.00	6.60	13.89	13.89	6.60	6.60	36.60	37.26	36.60	36.60	—
15.0"	28.63	27.64	15.00	22.50	16.00	8.80	18.59	18.59	8.80	8.80	49.50	50.16	49.50	49.50	—

**BODY CONFIGURATIONS (2 OF 2)**



**VALVE DIMENSIONS**

VALVE SIZE	A	B	D BUTTWELD	D S-LINE	D	E	J	K
1.0"	2.63	2.00	3.12	3.00	0.90	0.90	2.59	—
1.5"	3.63	2.25	3.75	3.50	1.26	1.26	3.54	—
2.0"	4.63	2.50	4.50	4.00	1.59	1.59	4.29	—
2.5"	5.63	2.75	5.25	4.50	1.92	1.92	5.04	—
3.0"	6.63	3.00	6.00	5.00	2.25	2.25	5.79	—
3.5"	7.63	3.25	6.75	5.50	2.58	2.58	6.54	—
4.0"	8.63	3.50	7.50	6.00	2.91	2.91	7.29	—
4.5"	9.63	3.75	8.25	6.50	3.24	3.24	8.04	—
5.0"	10.63	4.00	9.00	7.00	3.57	3.57	8.79	—
6.0"	12.63	4.50	10.50	8.00	4.20	4.20	10.29	—
8.0"	16.63	5.50	13.50	10.00	5.40	5.40	13.29	—
10.0"	20.63	6.50	16.50	12.00	6.60	6.60	16.29	—