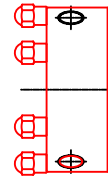
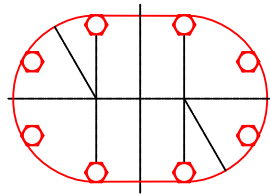
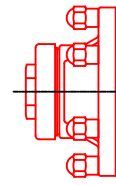
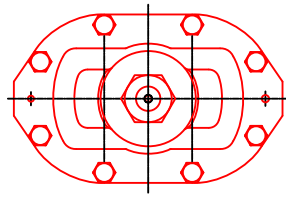


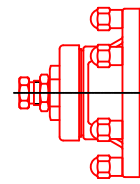
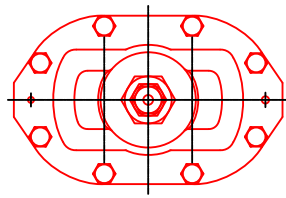
MODEL T34U2 RECTANGULAR FLANGE PUMP



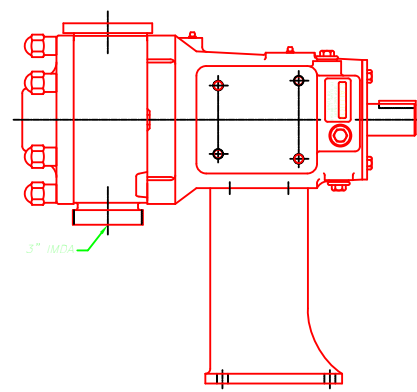
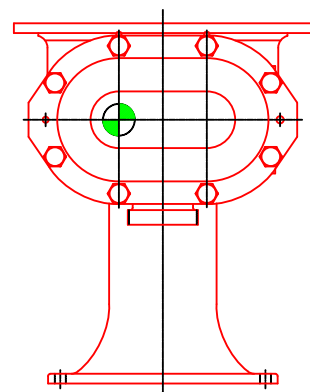
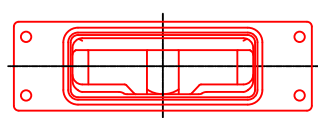
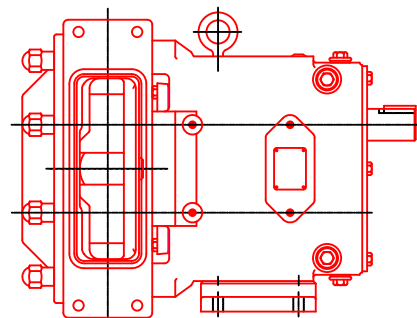
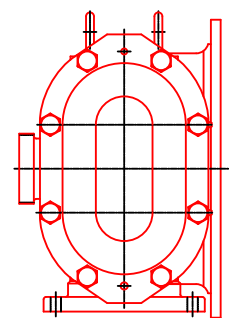
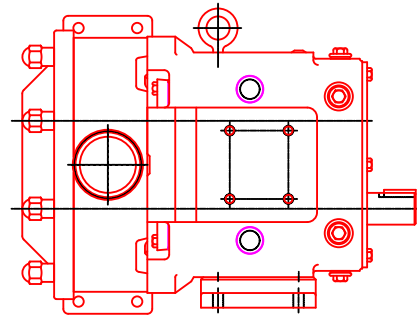
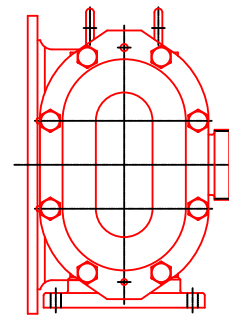
JACKETED COVER



PNEUMATIC VENTED COVER
DIAPHRAGM & PISTON



MANUAL VENTED COVER



3" IMDA